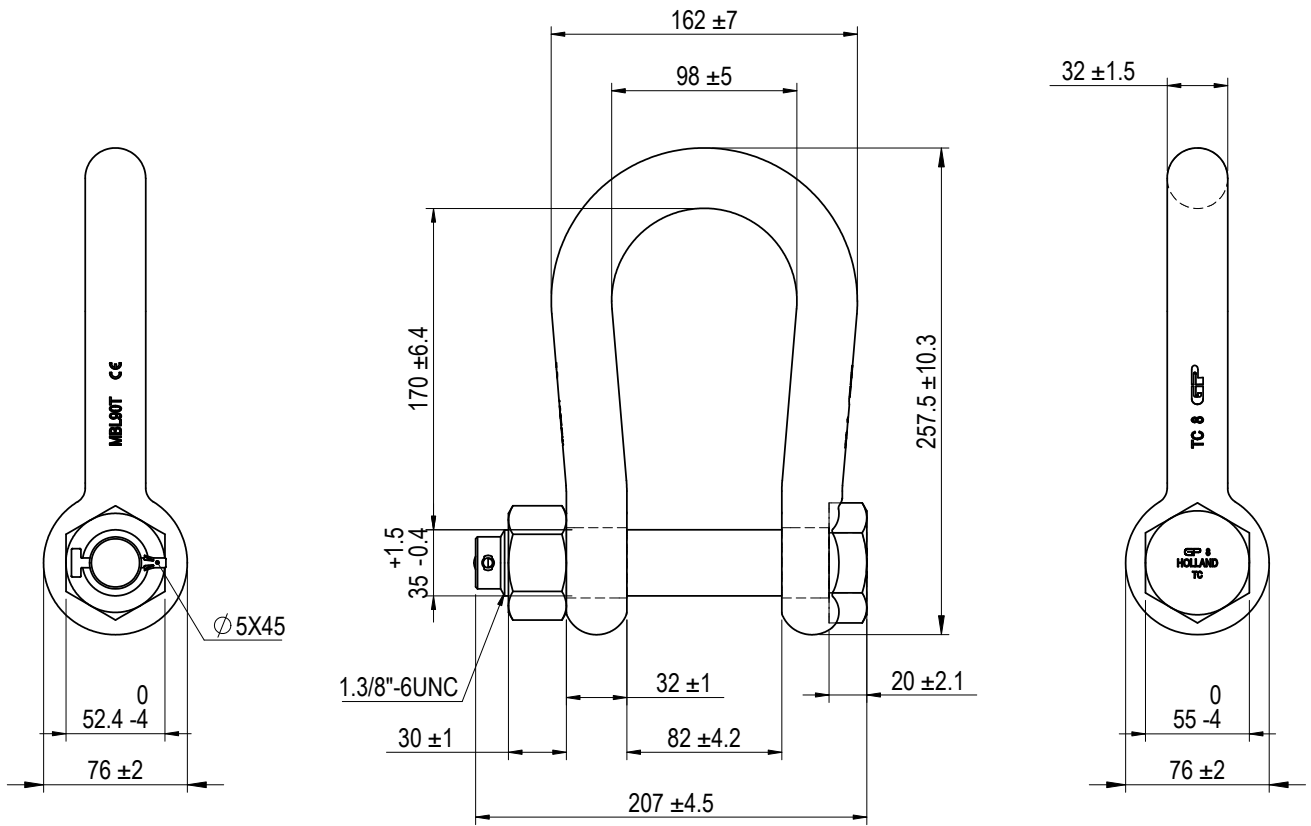


Green Pin® Mooring Bow Shackle BN  
 Group : G-4863  
 Part : AMGHMB32  
 MBL : 90t



We reserve the right to make amendments on specifications in this drawing without prior notification.

Rev.	Description	Date	Drawn
0	First Issue	2022/6/1	DL

Copyright by Van Beest B.V. moreover this document is the property of Van Beest B.V. This document or any part of it may neither be made known, copied or multiplied, nor used for any purpose other than that for which it is specifically furnished, without the prior written consent of Van Beest B.V.



P.O. Box 57, 3360 AB Sliedrecht (The Netherlands)  
 Industrieweg 6, 3361 HJ Sliedrecht  
 Tel. +31(0)184-413300 www.greenpin.com

Format	A4	
Scale	1:4	
Drawing number		Rev.
6913		0

Title **Green Pin® Mooring Bow Shackle BN**  
 Mooring bow shackle with safety bolt and sunken bolt head

Remark  
 G-4863  
 AMGHMB32