

Green Pin BigMouth® Bow Shackle FN

Group : G-4243

Part : ASGHMB35FN

WLL : 12 t

A

B

C

D

E

F

A

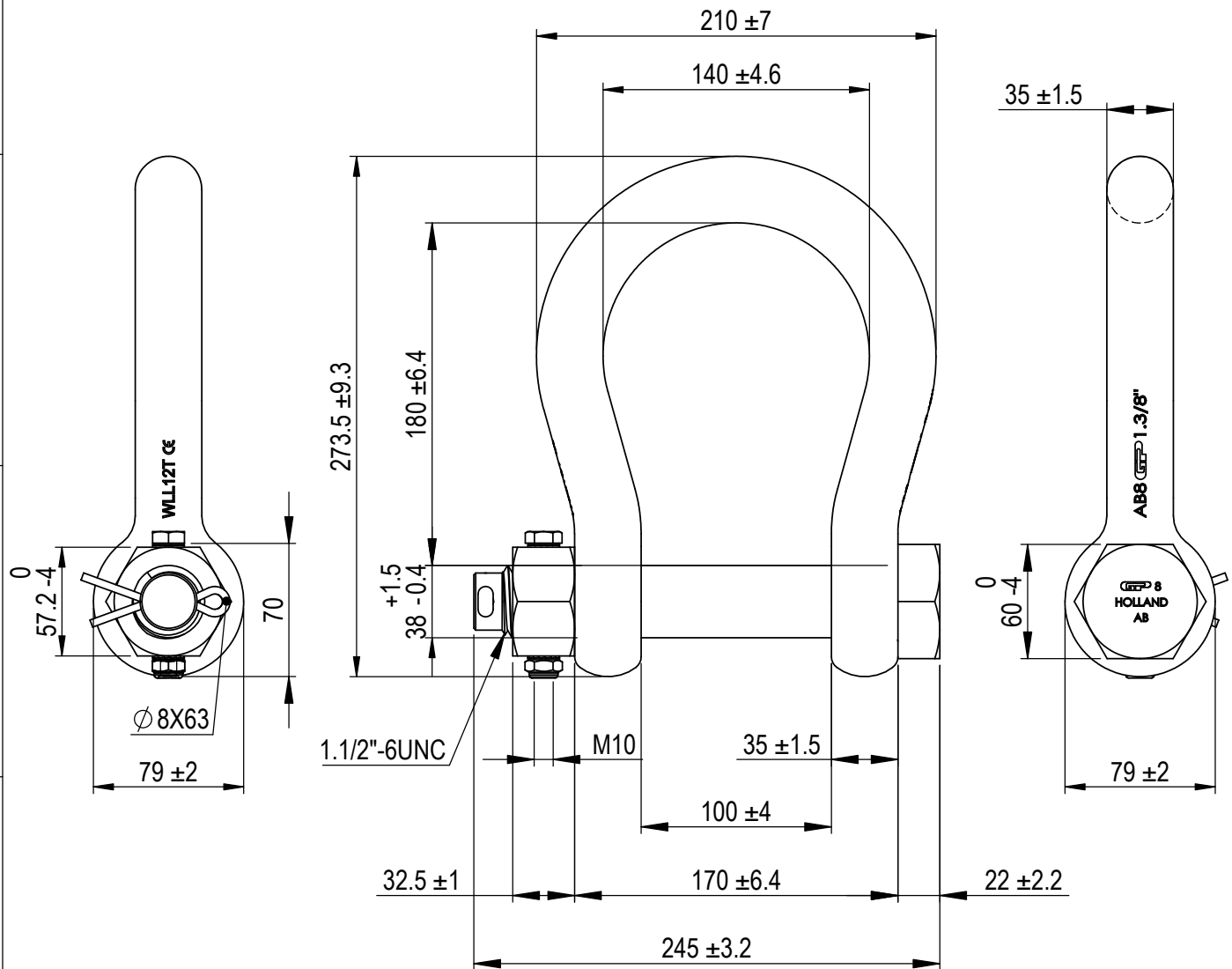
B

C

D

E

F



We reserve the right to make amendments on specifications in this drawing without prior notification.

Rev.	Description	Date	Drawn
0	First Issue	2024-8-1	DL

Copyright by Van Beest B.V. moreover this document is the property of Van Beest B.V. This document or any part of it may neither be made known, copied or multiplied, nor used for any purpose other than that for which it is specifically furnished, without the prior written consent of Van Beest B.V.



**Green Pin®**  
P.O. Box 57, 3360 AB Sliedrecht (The Netherlands)  
Industrieweg 6, 3361 HJ Sliedrecht  
Tel. +31(0)184-413300 www.greenpin.com

<b>Title</b> Green Pin BigMouth® Bow Shackle FN	<b>Remark</b> G-4243	<b>Format</b> A4		
Grade 8 bow shackle with safety bolt, fixed nut and wider shackle mouth	ASGHMB35FN	<b>Scale</b> 1:3.5		
		<b>Drawing number</b> 6889	<b>Rev.</b> O	

1

2

3

4