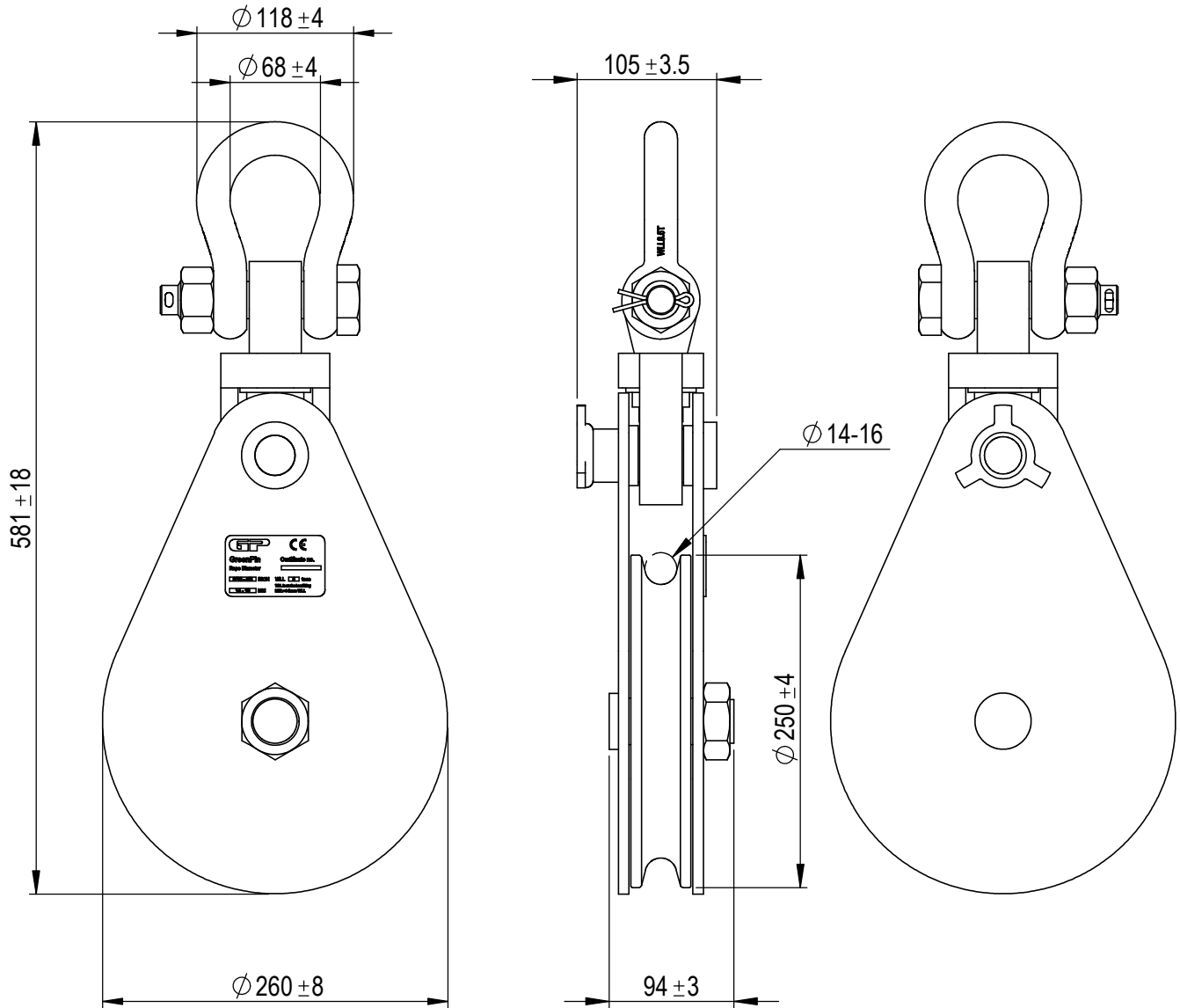


Green Pin® Snatch Block S
 Group : P-6951
 Part : BKOFFSS100816
 WLL : 8t



We reserve the right to make amendments on specifications in this drawing without prior notification.

0	First issue	2022-8-5	R.CH
Rev.	Description	Date	Drawn

Copyright by Van Beest B.V. moreover this document is the property of Van Beest B.V. This document or any part of it may neither be made known, copied or multiplied, nor used for any purpose other than that for which it is specifically furnished, without the prior written consent of Van Beest B.V.



P.O. Box 57, 3360 AB Sliedrecht (The Netherlands)
 Industrieweg 6, 3361 HJ Sliedrecht
 Tel. +31(0)184-413300 www.greenpin.com

Format	A4	
Scale	1:5	

Title Green Pin® Snatch Block S		Remark P-6951 BKOFFSS100816	Drawing number 9954	Rev. 0
---------------------------------	--	-----------------------------------	------------------------	-----------