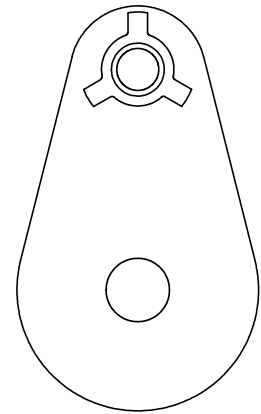
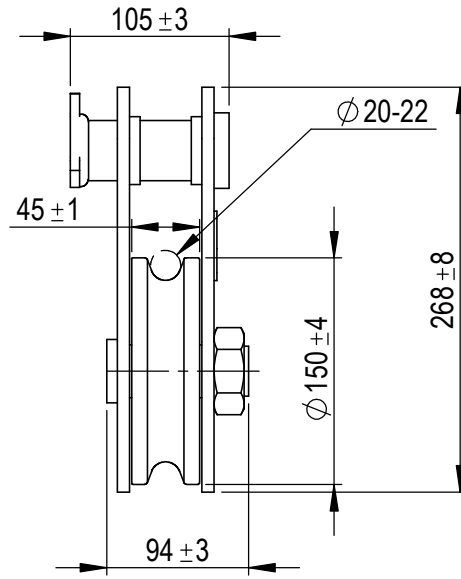
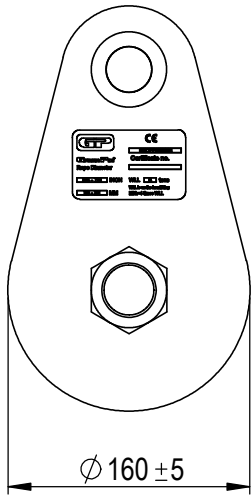


Green Pin® Snatch Block
 Group : P-6953
 Part : BKOFFST0608
 WLL : 8t



We reserve the right to make amendments on specifications in this drawing without prior notification.

Rev.	Description	Date	Drawn
0	First issue	2023-7-5	R.CH

Copyright by Van Beest B.V. moreover this document is the property of Van Beest B.V. This document or any part of it may neither be made known, copied or multiplied, nor used for any purpose other than that for which it is specifically furnished, without the prior written consent of Van Beest B.V.



Green Pin®
 P.O. Box 57, 3360 AB Sliedrecht (The Netherlands)
 Industrieweg 6, 3361 HJ Sliedrecht
 Tel. +31(0)184-413300 www.greenpin.com

Format	A4	
Scale	1:5	
Drawing number	9881	Rev.
		0

Title **Green Pin® Snatch Block**
Snatch block type 601T

Remark
 P-6953
 BKOFFST0608

1

2

3

4