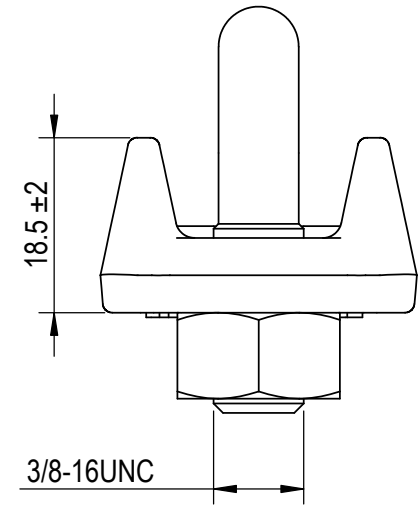
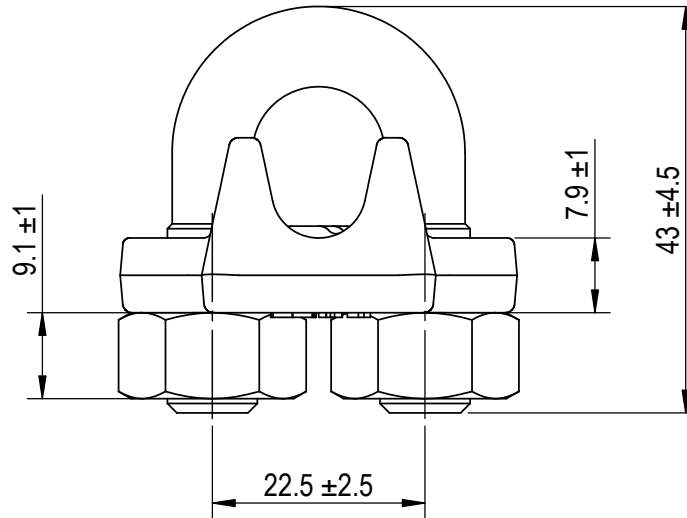
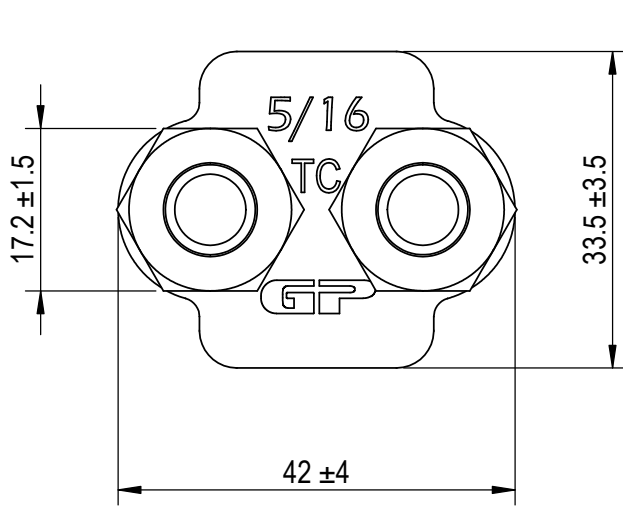


Green Pin® Wire Rope Clip
 Group : G-6240
 Part : CLGRP08
 Wire Rope : 8mm



0	First Issue	2024/1/1	DL
Rev.	Description	Date	Drawn
Copyright by Van Beest B.V. moreover this document is the property of Van Beest B.V. This document or any part of it may neither be made known, copied or multiplied, nor used for any purpose other than that for which it is specifically furnished, without the prior written consent of Van Beest B.V.			
Title Green Pin® Wire Rope Clip Wire rope clip generally to EN 13411-5 Type B		Remark G-6240 CLGRP08	



Green Pin®
 P.O. Box 57, 3360 AB Sliedrecht (The Netherlands)
 Industrieweg 6, 3361 HJ Sliedrecht
 Tel. +31(0)184-413300 www.greenpin.com

Format	A4	
Scale	1.25:1	
Drawing number	9178	Rev.
		0

We reserve the right to make amendments on specifications in this drawing without prior notification.