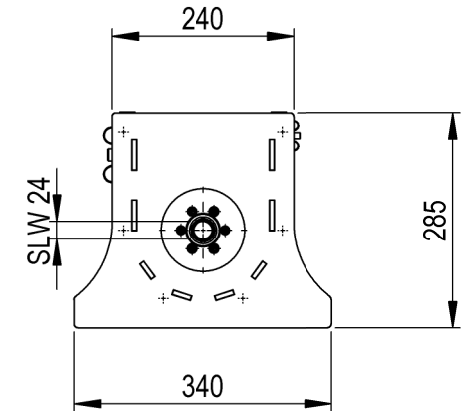
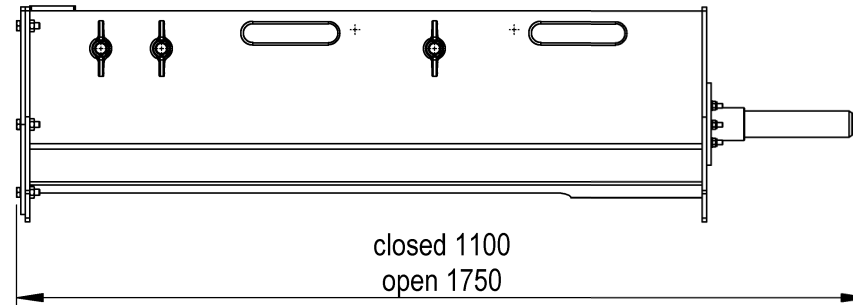
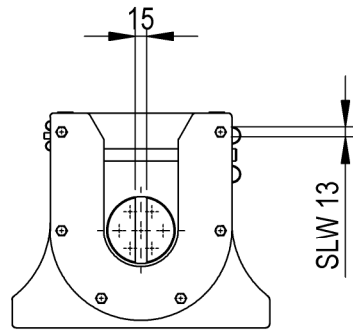
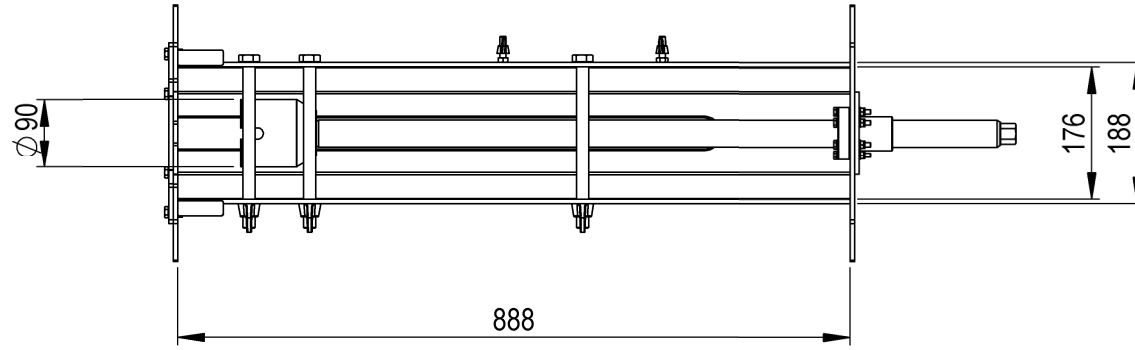


Group : P-5368
 Part : CT120150ROVSRL



We reserve the right to make amendments on specifications in this drawing without prior notification.

Rev.	Description	Date	Drawn	Approved	Approver
0	First Issue	13-07-2015	DVDP		

Copyright by Van Beest B.V. moreover this document is the property of Van Beest B.V. This document or any part of it may neither be made known, copied or multiplied, nor used for any purpose other than that for which it is specifically furnished, without the prior written consent of Van Beest B.V.

Title **Compression tools for Green Pin®
 ROV spring release Polar shackles**

Remark
 P-5368
 CT120150ROVSRL



P.O. Box 57, 3360 AB Slidrecht
 (The Netherlands)
 Industrieweg 6, 3361 HJ Slidrecht
 Tel. +31(0)184-413300 www.vanbeest.nl

Format	A4	
Scale	1:10	
Drawing number	6841	Rev. A