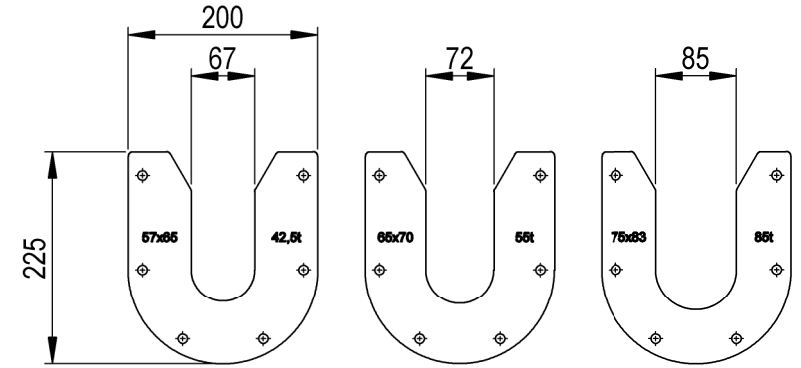
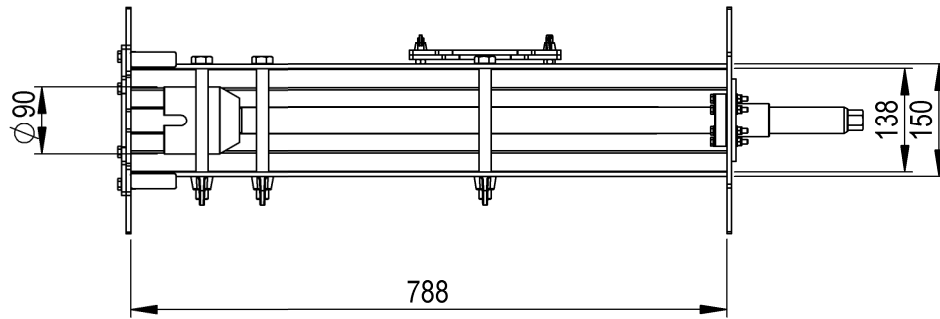


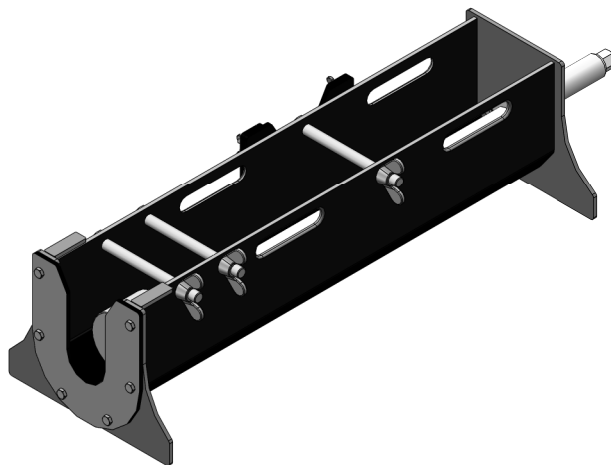
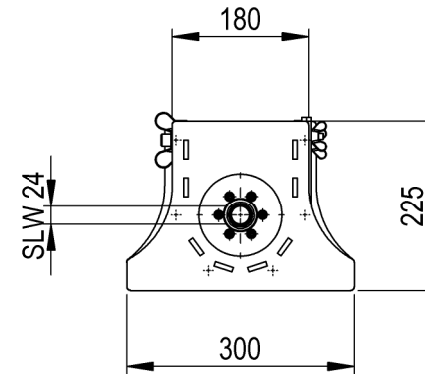
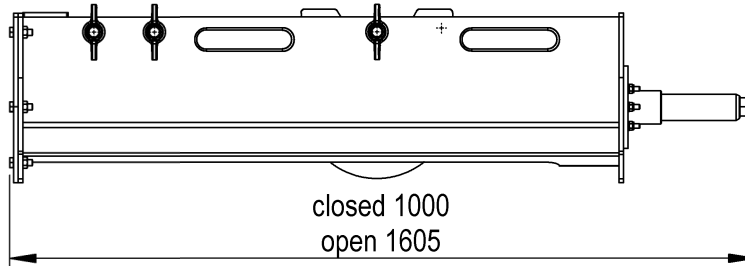
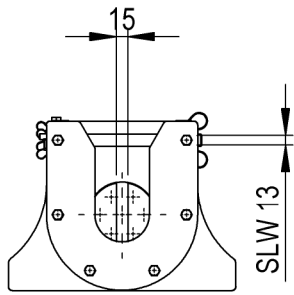
Group : P-5368
 Part : CT576575ROVSRL



WLL42.5t

WLL55t

WLL85t



Rev.	Description	Date	Drawn	Approved	Approver
0	First Issue	13-7-2015	DVDP		

Copyright by Van Beest B.V. moreover this document is the property of Van Beest B.V. This document or any part of it may neither be made known, copied or multiplied, nor used for any purpose other than that for which it is specifically furnished, without the prior written consent of Van Beest B.V.

Title **Compression tools for Green Pin® ROV spring release Polar shackles**

Remark
 P-5368
 CT576575ROVSRL



P.O. Box 57, 3360 AB Sliedrecht
 (The Netherlands)
 Industrieweg 6, 3361 HJ Sliedrecht
 Tel. +31(0)184-413300 www.vanbeest.nl

Format	A4		
Scale	1:10		
Drawing number	6840	Rev.	A

We reserve the right to make amendments on specifications in this drawing without prior notification.