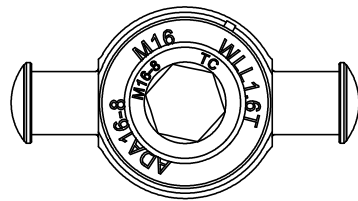
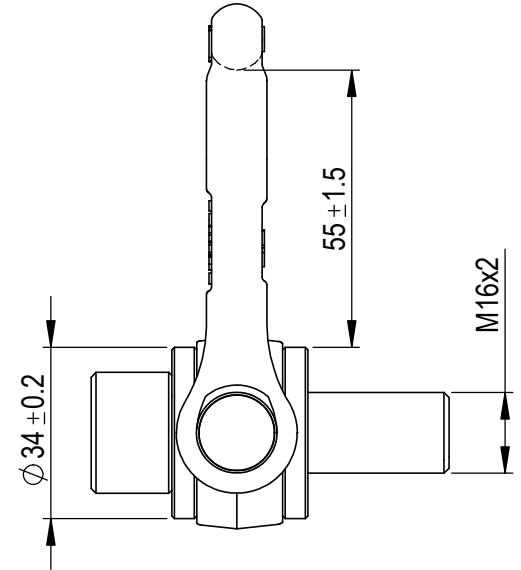
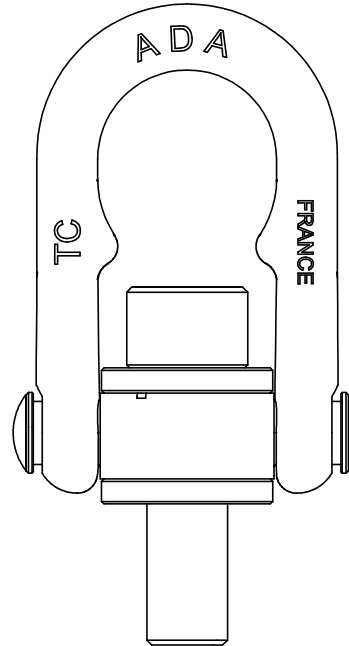
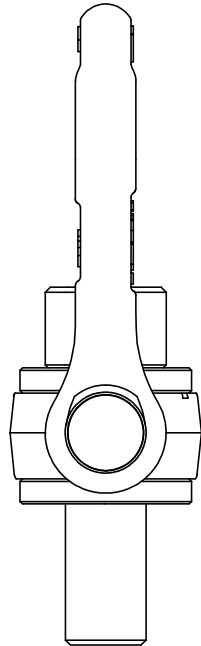
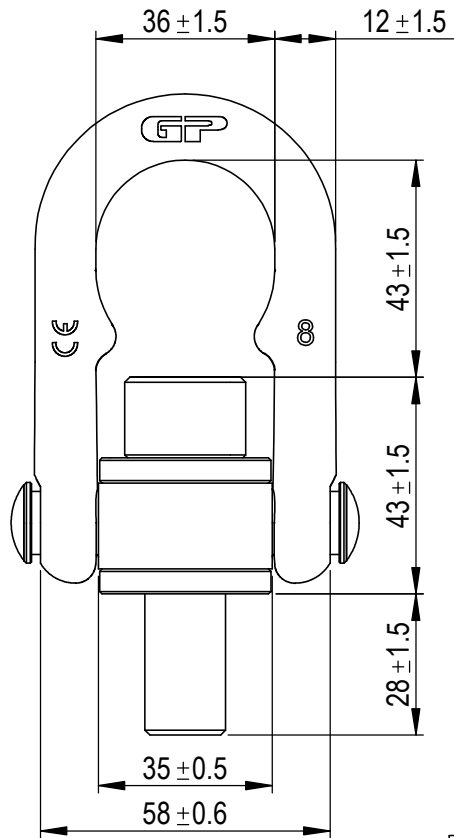


# Green Pin® Rotating Hoist Ring GR8

Group : ADA  
 Part : GPADA16  
 WLL : 1.6t



Rev.	Description	Date	Drawn
0	First Issue	2019.09.18	R.CH

Copyright by Van Beest B.V. moreover this document is the property of Van Beest B.V. This document or any part of it may neither be made known, copied or multiplied, nor used for any purpose other than that for which it is specifically furnished, without the prior written consent of Van Beest B.V.

**Title** Green Pin® Rotating Hoist Ring GR8

**Remark**  
 ADA  
 GPADA16



P.O. Box 57, 3360 AB Sliedrecht (The Netherlands)  
 Industrieweg 6, 3361 HJ Sliedrecht  
 Tel. +31(0)184-413300 www.greenpin.com

<b>Format</b>	A4	
<b>Scale</b>	1:1.5	
<b>Drawing number</b>		<b>Rev.</b>
7679		0

We reserve the right to make amendments on specifications in this drawing without prior notification.