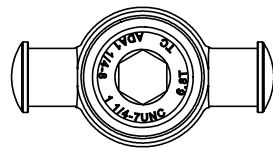
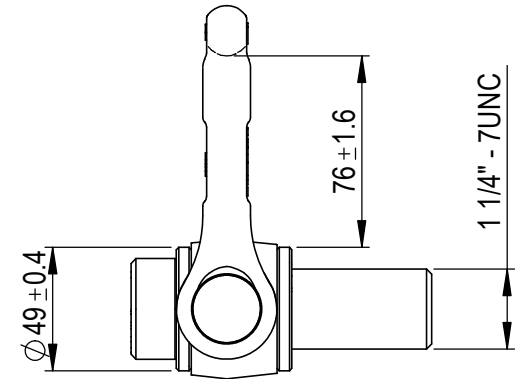
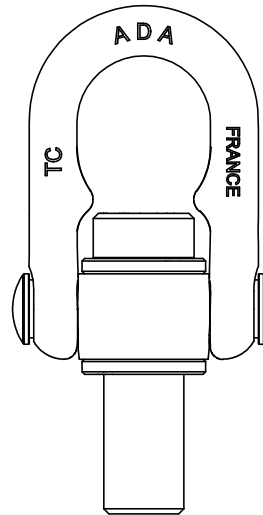
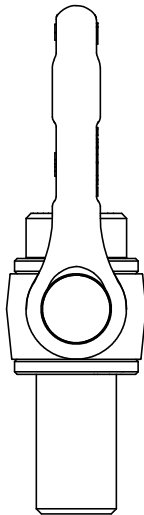
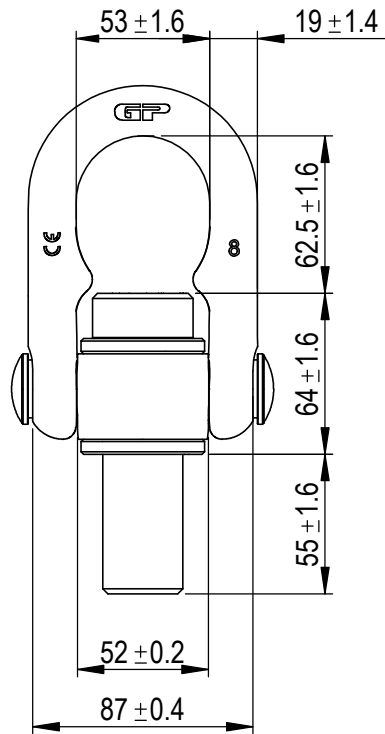


Green Pin® Rotating Hoist Ring UNC GR8
 Group : ADAUNC
 Part : GPADA32UNC
 WLL : 6.8t



0	First Issue	2021-05-04	R.CH
Rev.	Description	Date	Drawn

Copyright by Van Beest B.V. moreover this document is the property of Van Beest B.V. This document or any part of it may neither be made known, copied or multiplied, nor used for any purpose other than that for which it is specifically furnished, without the prior written consent of Van Beest B.V.

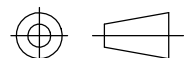
Title **Green Pin® Rotating Hoist Ring UNC GR8**

Remark
 ADAUNC
 GPADA32UNC



Green Pin®
 P.O. Box 57, 3360 AB Sliedrecht (The Netherlands)
 Industrieweg 6, 3361 HJ Sliedrecht
 Tel. +31(0)184-413300 www.greenpin.com

Format **A4**
 Scale **1:3**



Drawing number **7732** Rev. **0**

We reserve the right to make amendments on specifications in this drawing without prior notification.