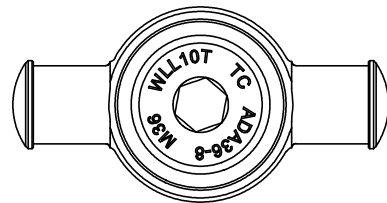
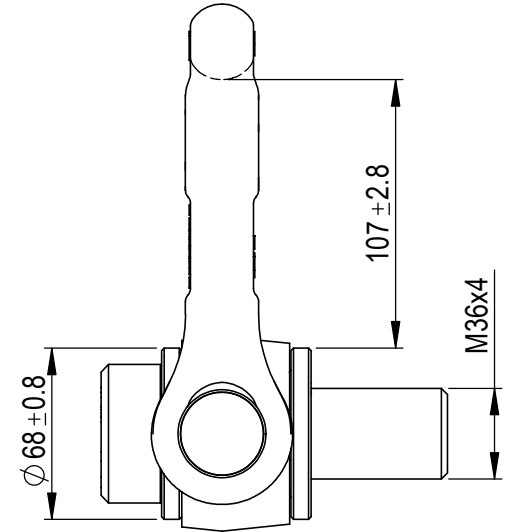
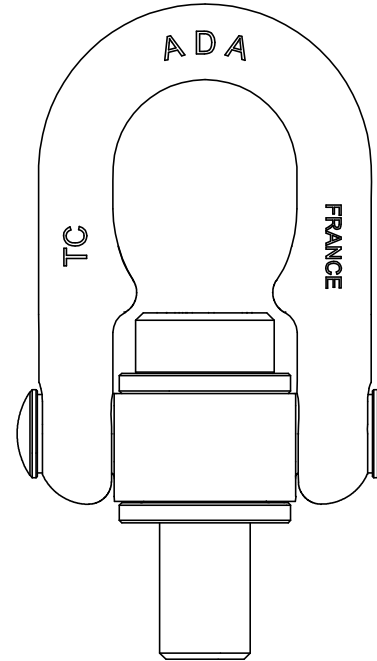
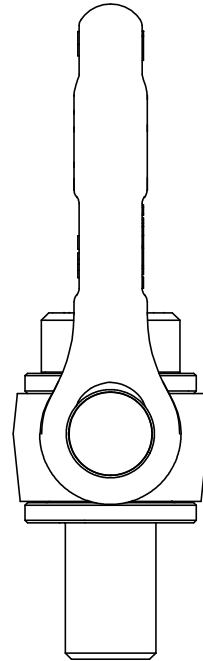
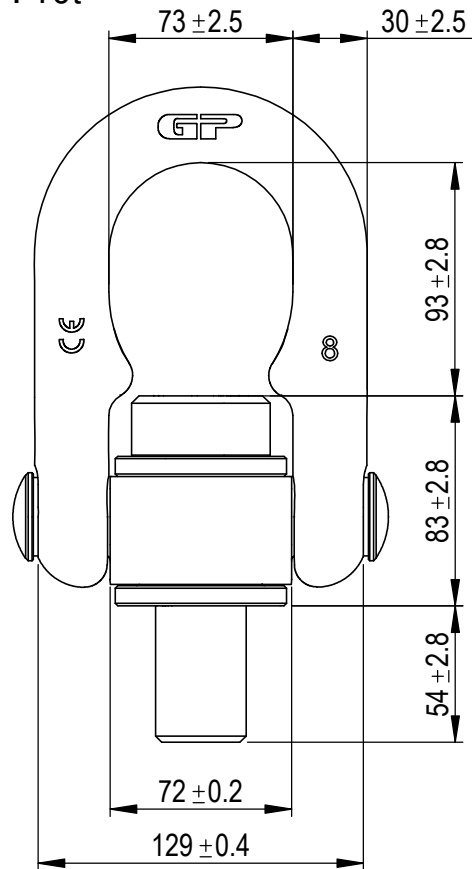


Green Pin® Rotating Hoist Ring GR8
 Group : ADA
 Part : GPADA36
 WLL : 10t



Rev.	Description	Date	Drawn
0	First Issue	2019-9-18	R.CH

Copyright by Van Beest B.V. moreover this document is the property of Van Beest B.V. This document or any part of it may neither be made known, copied or multiplied, nor used for any purpose other than that for which it is specifically furnished, without the prior written consent of Van Beest B.V.

Title **Green Pin® Rotating Hoist Ring GR8** Remark
 ADA
 GPADA36



Green Pin®
 P.O. Box 57, 3360 AB Sliedrecht (The Netherlands)
 Industrieweg 6, 3361 HJ Sliedrecht
 Tel. +31(0)184-413300 www.greenpin.com

Format	A4	
Scale	1:3	
Drawing number	7687	Rev.
		0

We reserve the right to make amendments on specifications in this drawing without prior notification.