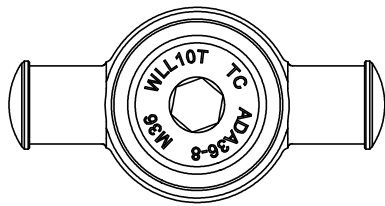
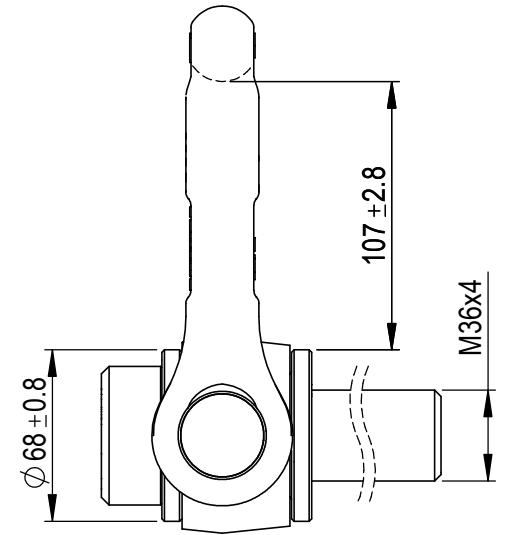
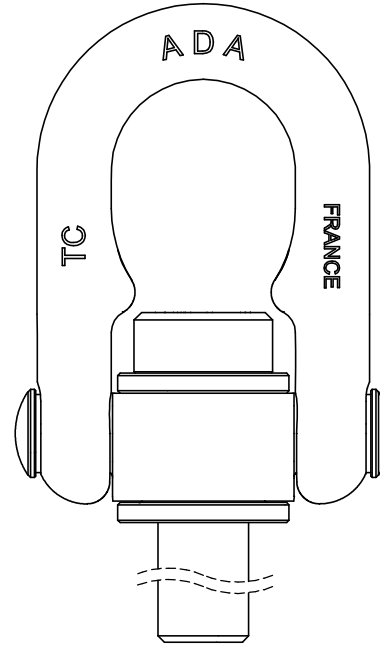
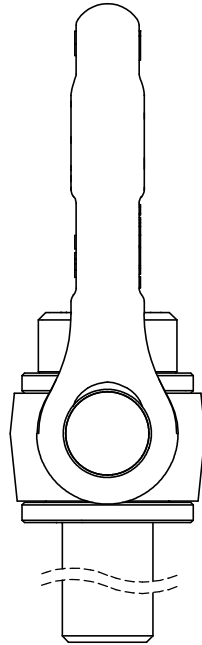
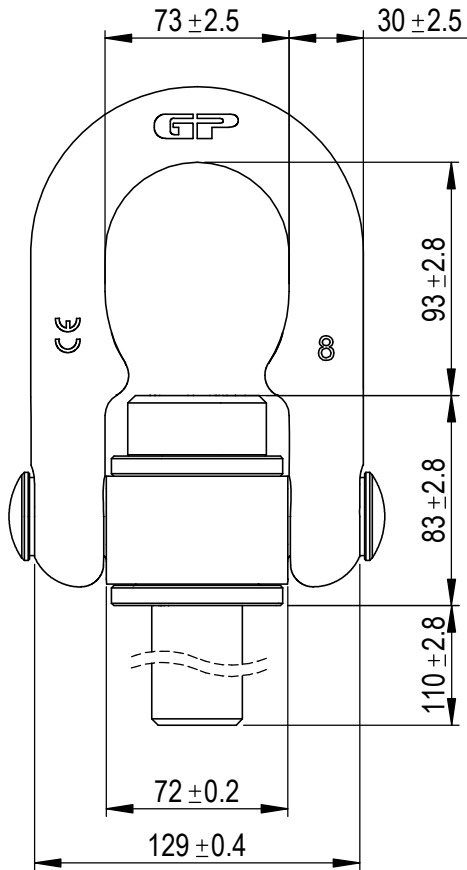


Green Pin® Long Rotating Hoist Ring GR8

Group : ADAL

Part : GPADA36L110

WLL : 10t



Rev.	Description	Date	Drawn
0	First Issue	2019-9-18	R.CH

Copyright by Van Beest B.V. moreover this document is the property of Van Beest B.V. This document or any part of it may neither be made known, copied or multiplied, nor used for any purpose other than that for which it is specifically furnished, without the prior written consent of Van Beest B.V.

Title Green Pin® Long Rotating Hoist Ring GR8

Remark
ADAL
GPADA36L110

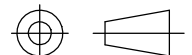


Green Pin®

P.O. Box 57, 3360 AB Sliedrecht (The Netherlands)
Industrieweg 6, 3361 HJ Sliedrecht
Tel. +31(0)184-413300 www.greenpin.com

Format A4

Scale 1:3



Drawing number
7715

Rev.
0

We reserve the right to make amendments on specifications in this drawing without prior notification.