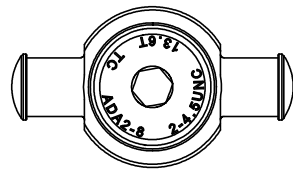
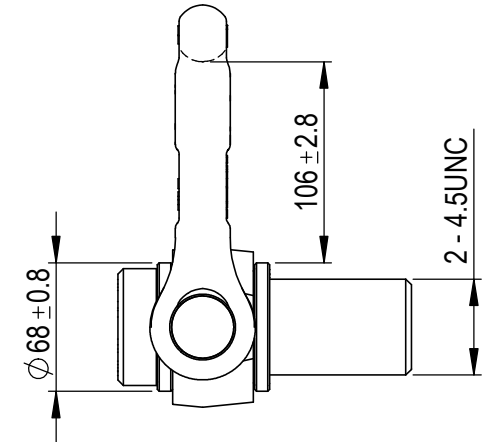
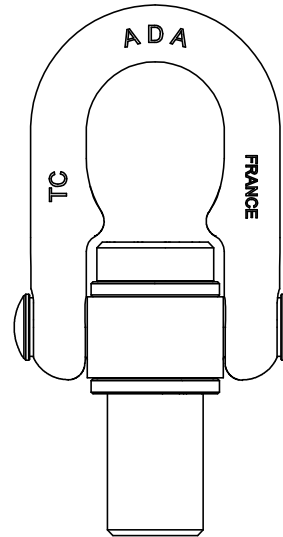
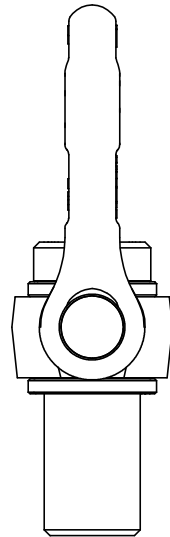
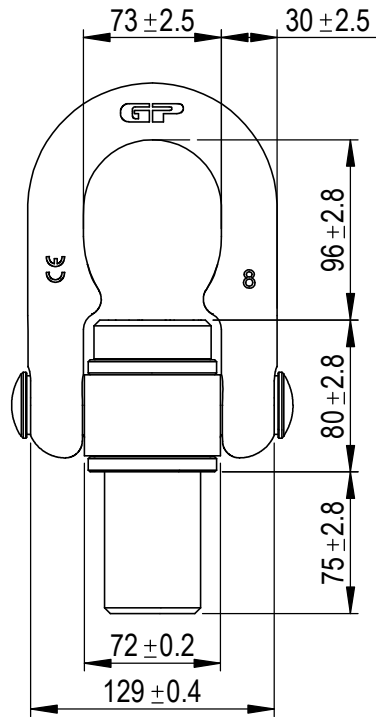


Green Pin® Rotating Hoist Ring UNC GR8

Group : ADAUNC

Part : GPADA50UNC

WLL : 13.6t




0	First Issue	2021-05-04	R.CH
Rev.	Description	Date	Drawn


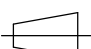
Copyright by Van Beest B.V. moreover this document is the property of Van Beest B.V. This document or any part of it may neither be made known, copied or multiplied, nor used for any purpose other than that for which it is specifically furnished, without the prior written consent of Van Beest B.V.

Title Green Pin® Rotating Hoist Ring UNC GR8

Remark
ADAUNC
GPADA50UNC



Green Pin®
P.O. Box 57, 3360 AB Sliedrecht (The Netherlands)
Industrieweg 6, 3361 HJ Sliedrecht
Tel. +31(0)184-413300 www.greenpin.com

Format	A4	 
Scale	1:4	
Drawing number	7734	Rev.
	0	

We reserve the right to make amendments on specifications in this drawing without prior notification.