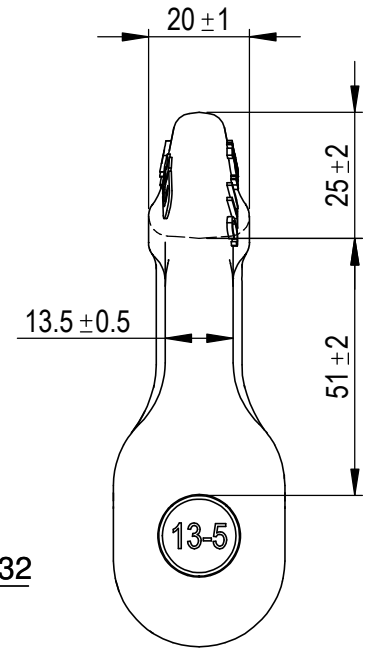
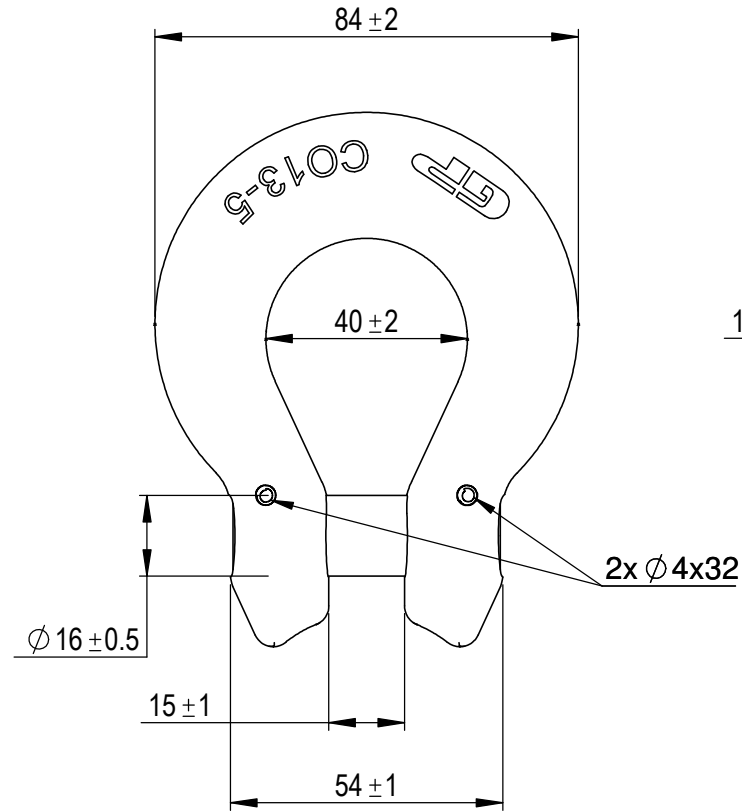
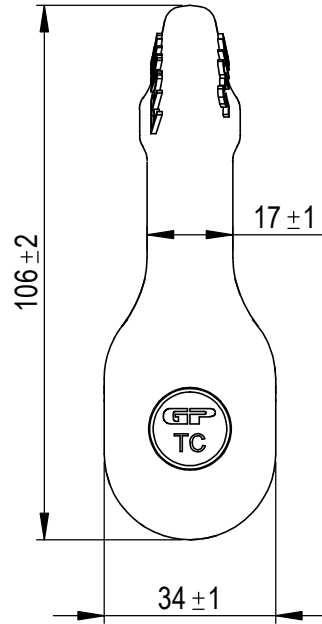
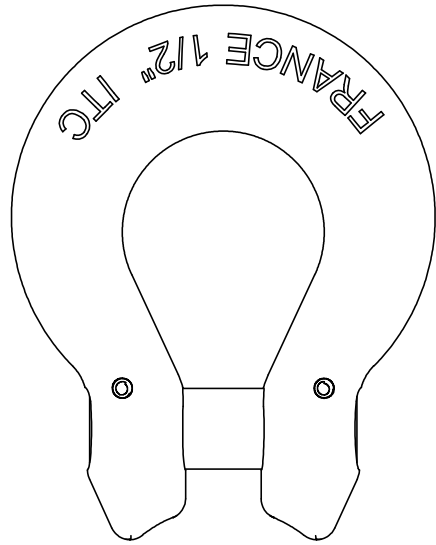



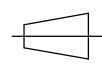
Green Pin® Omega Link S/S-GR5  
 Group : COI  
 Part : GPCO13I  
 WLL : 2.7t



0	First Issue	2018-11-30	R.CH
Rev.	Description	Date	Drawn
Copyright by Van Beest B.V. moreover this document is the property of Van Beest B.V. This document or any part of it may neither be made known, copied or multiplied, nor used for any purpose other than that for which it is specifically furnished, without the prior written consent of Van Beest B.V.			



P.O. Box 57, 3360 AB Sliedrecht (The Netherlands)  
 Industrieweg 6, 3361 HJ Sliedrecht  
 Tel. +31(0)184-413300 www.greenpin.com

Format	A4	 
Scale	1:1.5	
Drawing number	7334	Rev.
	0	

Title **Green Pin® Omega Link S/S-GR5**

Remark  
 COI  
 GPCO13I

We reserve the right to make amendments on specifications in this drawing without prior notification.