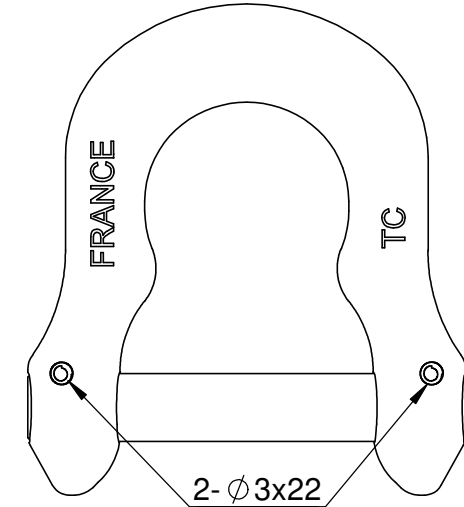
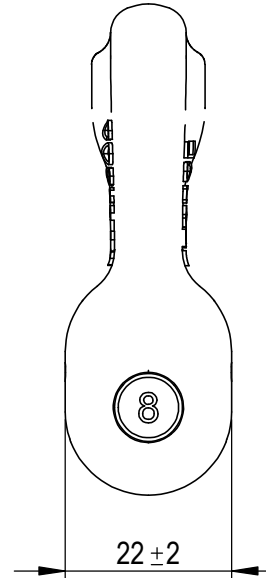
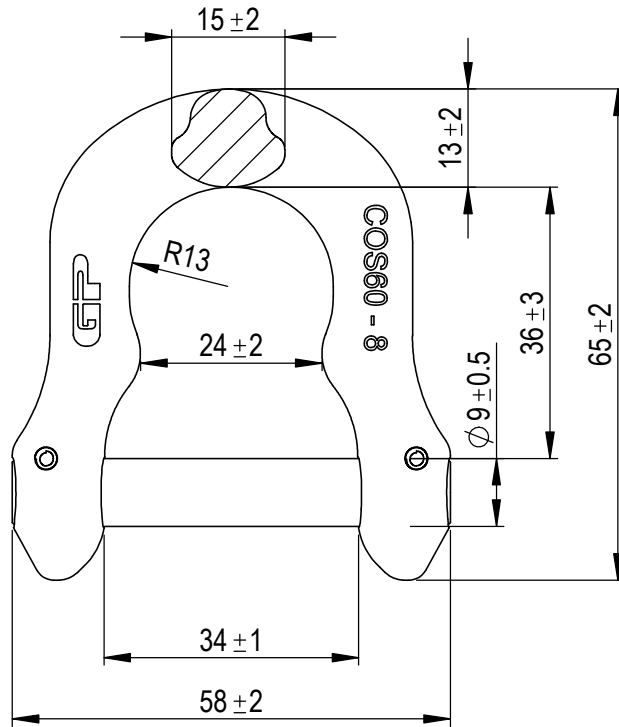


# Green Pin® Round Web Sling Connector GR8

Group : COS

Part : GPCOS60

WLL : 2 t



0	First Issue	2024-8-1	R.CH
Rev.	Description	Date	Drawn
Copyright by Van Beest B.V. moreover this document is the property of Van Beest B.V. This document or any part of it may neither be made known, copied or multiplied, nor used for any purpose other than that for which it is specifically furnished, without the prior written consent of Van Beest B.V.			
Title Green Pin® Round Web Sling Connector GR8		Remark COS GPCOS60	



P.O. Box 57, 3360 AB Sliedrecht (The Netherlands)  
Industrieweg 6, 3361 HJ Sliedrecht  
Tel. +31(0)184-413300 www.greenpin.com

Format	A4	
Scale	1:1	
Drawing number	6945	Rev.
		0

We reserve the right to make amendments on specifications in this drawing without prior notification.