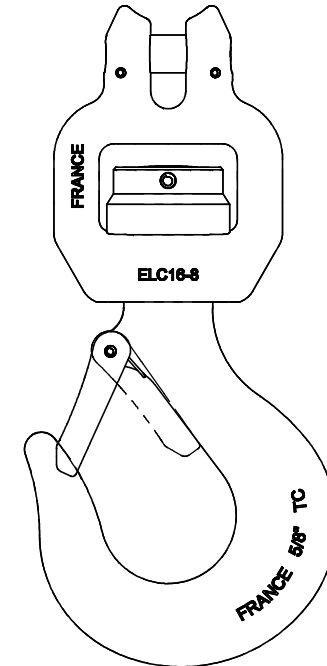
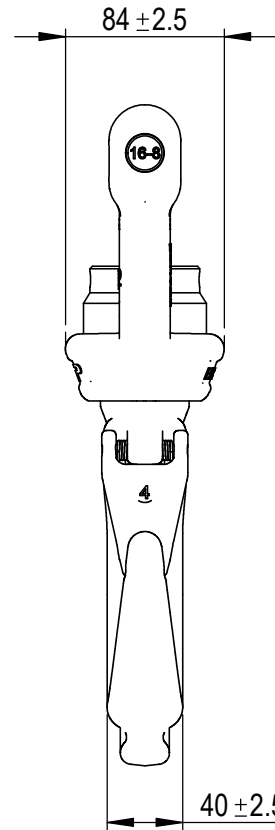
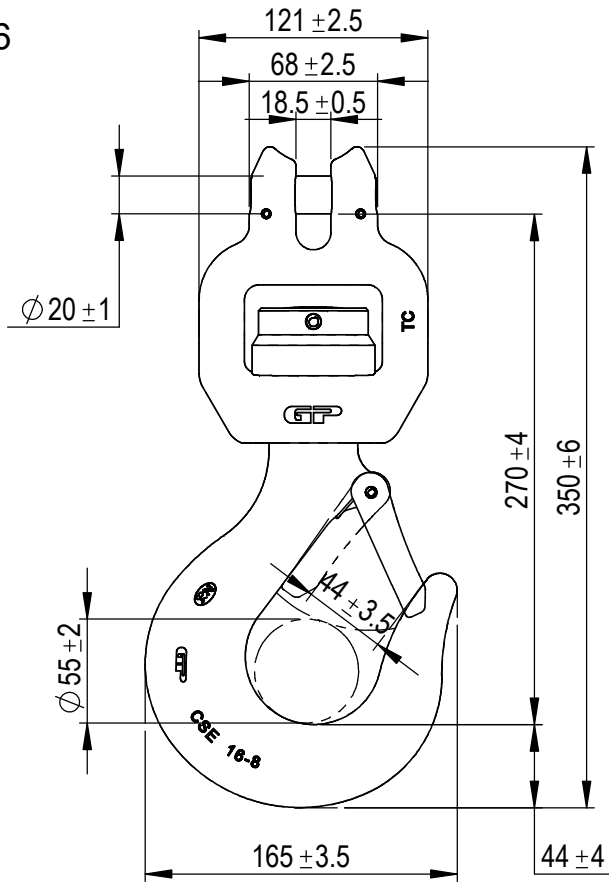


Green Pin® Sling Hook SCL EN1677-2 GR8

Group : CSECA

Part : GPCSECA16

WLL : 8.2t



|  |             |                    |       |
|--|-------------|--------------------|-------|
| 0  | First Issue | 2020-10-31         | R.CH  |
| Rev.   | Description | Date               | Drawn |
| Copyright by Van Beest B.V. moreover this document is the property of Van Beest B.V. This document or any part of it may neither be made known, copied or multiplied, nor used for any purpose other than that for which it is specifically furnished, without the prior written consent of Van Beest B.V. |             |                    |       |
| Title  |             | Remark             |       |
| Green Pin® Sling Hook SCL EN1677-2 GR8   |             | CSECA<br>GPCSECA16 |       |



P.O. Box 57, 3360 AB Slidrecht (The Netherlands)  
Industrieweg 6, 3361 HJ Slidrecht  
Tel. +31(0)184-413300 www.greenpin.com

|                |      |      |
|----------------|------|------|
| Format         | A4   |      |
| Scale          | 1:4  |      |
| Drawing number | 6394 | Rev. |
|                | 0    |      |

We reserve the right to make amendments on specifications in this drawing without prior notification.