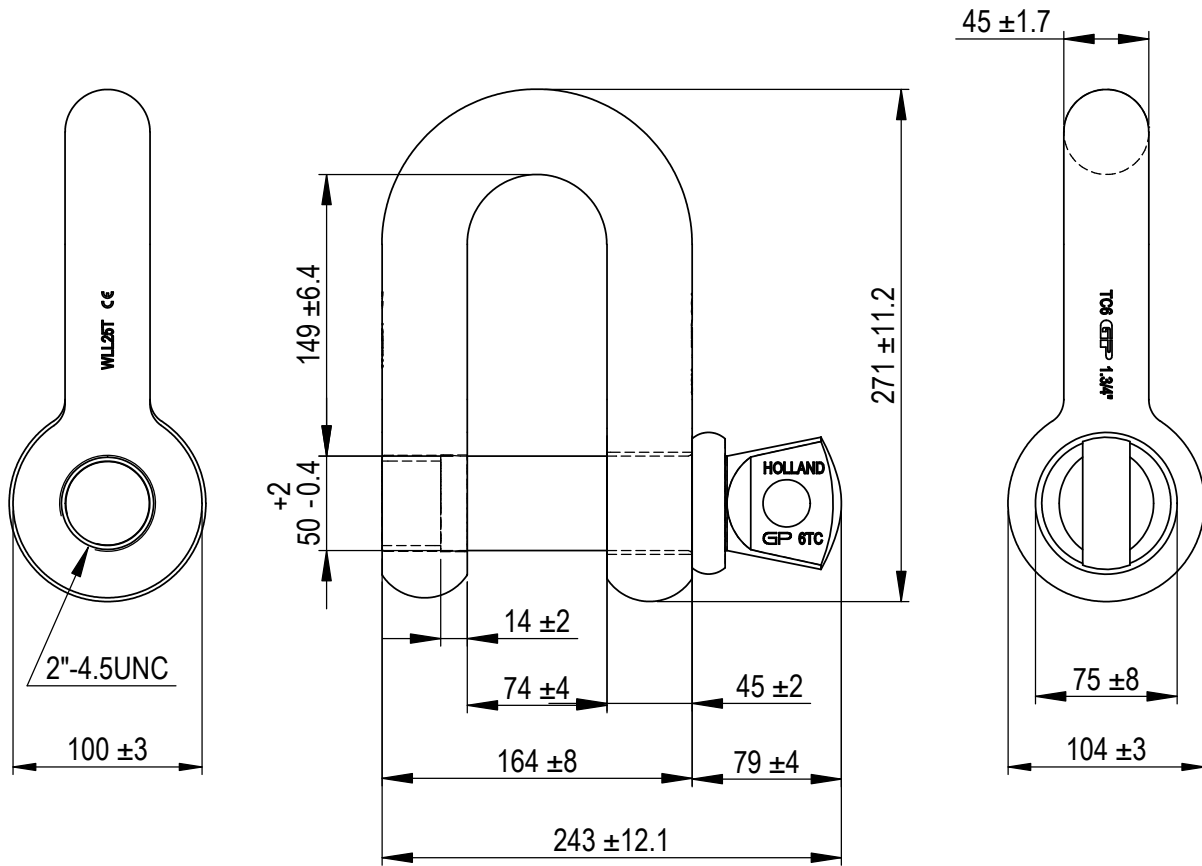


Green Pin® Dee Shackle SC
 Group : G-4151
 Part : GPGDBB45
 WLL : 25t



We reserve the right to make amendments on specifications in this drawing without prior notification.

| Rev. | Description | Date | Drawn |
|------|-----------------|----------|-------|
| B | Drawing updated | 2022-1-1 | DL |
| A | Chamber in eye | 13-10-11 | H.T. |
| 0 | First Issue | 31-07-09 | H.T. |

Copyright by Van Beest B.V. moreover this document is the property of Van Beest B.V. This document or any part of it may neither be made known, copied or multiplied, nor used for any purpose other than that for which it is specifically furnished, without the prior written consent of Van Beest B.V.



P.O. Box 57, 3360 AB Sliedrecht (The Netherlands)
 Industrieweg 6, 3361 HJ Sliedrecht
 Tel. +31(0)184-413300 www.greenpin.com

| | | | |
|----------------|-----|------|--|
| Format | A4 | | |
| Scale | 1:4 | | |
| Drawing number | | Rev. | |
| 5089 | | B | |

Title **Green Pin® Dee Shackle SC**
 Standard dee shackle with screw collar pin

Remark
 G-4151
 GPGDBB45