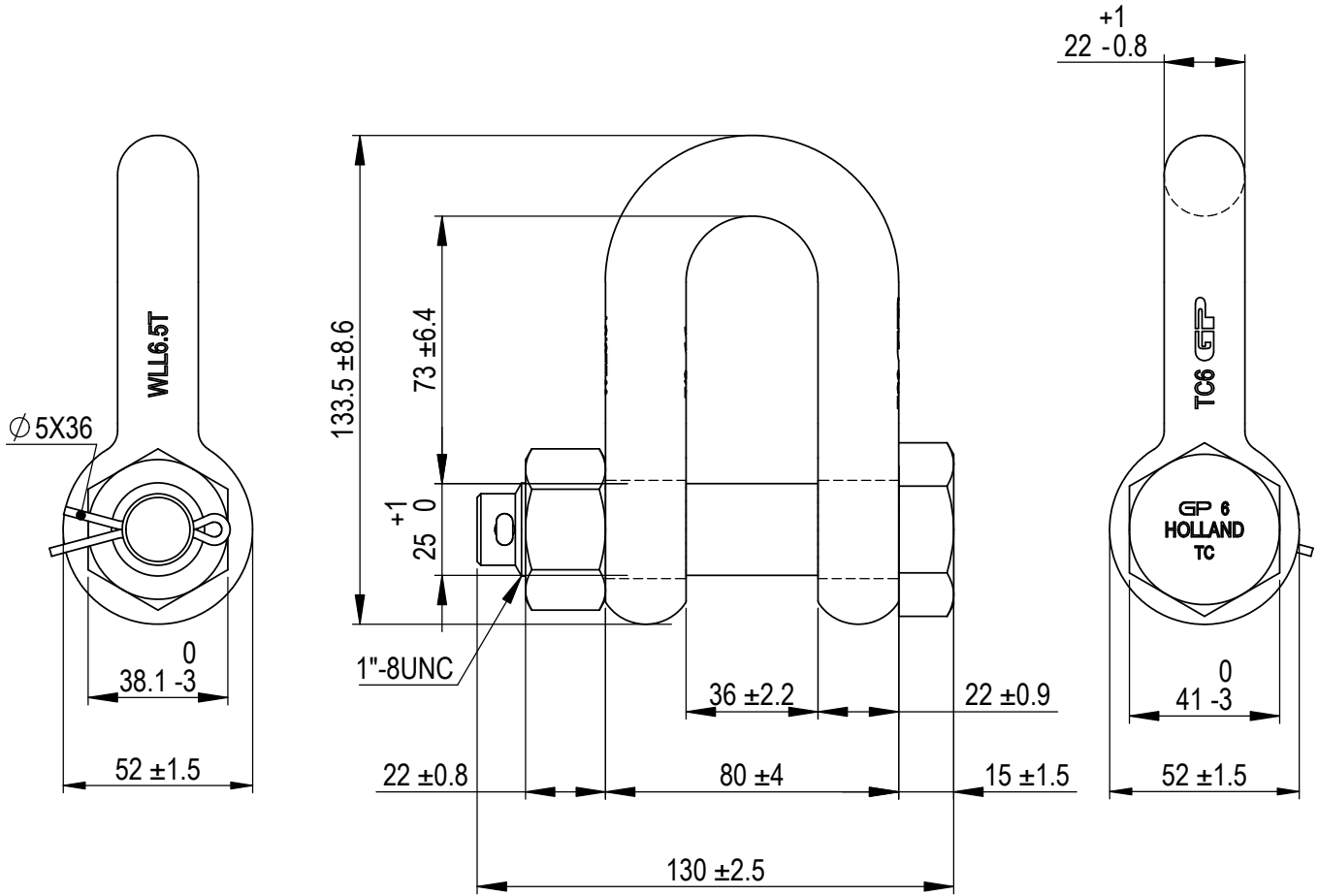


Green Pin® Dee Shackle BN  
 Group : G-4153  
 Part : GPGDMB22  
 WLL : 6.5t



We reserve the right to make amendments on specifications in this drawing without prior notification.

| Rev. | Description     | Date     | Drawn |
|------|-----------------|----------|-------|
| A    | Drawing updated | 2022-1-1 | DL    |
| 0    | First Issue     | 31-07-09 | H.T.  |

Copyright by Van Beest B.V. moreover this document is the property of Van Beest B.V. This document or any part of it may neither be made known, copied or multiplied, nor used for any purpose other than that for which it is specifically furnished, without the prior written consent of Van Beest B.V.



P.O. Box 57, 3360 AB Sliedrecht (The Netherlands)  
 Industrieweg 6, 3361 HJ Sliedrecht  
 Tel. +31(0)184-413300 www.greenpin.com

|                |     |      |  |
|----------------|-----|------|--|
| Format         | A4  |      |  |
| Scale          | 1:2 |      |  |
| Drawing number |     | Rev. |  |
| 5028           |     | A    |  |

|       |  |        |                    |
|-------|--|--------|--------------------|
| Title | Green Pin® Dee Shackle BN<br>Standard dee shackle with safety bolt | Remark | G-4153<br>GPGDMB22 |
|-------|--|--------|--------------------|