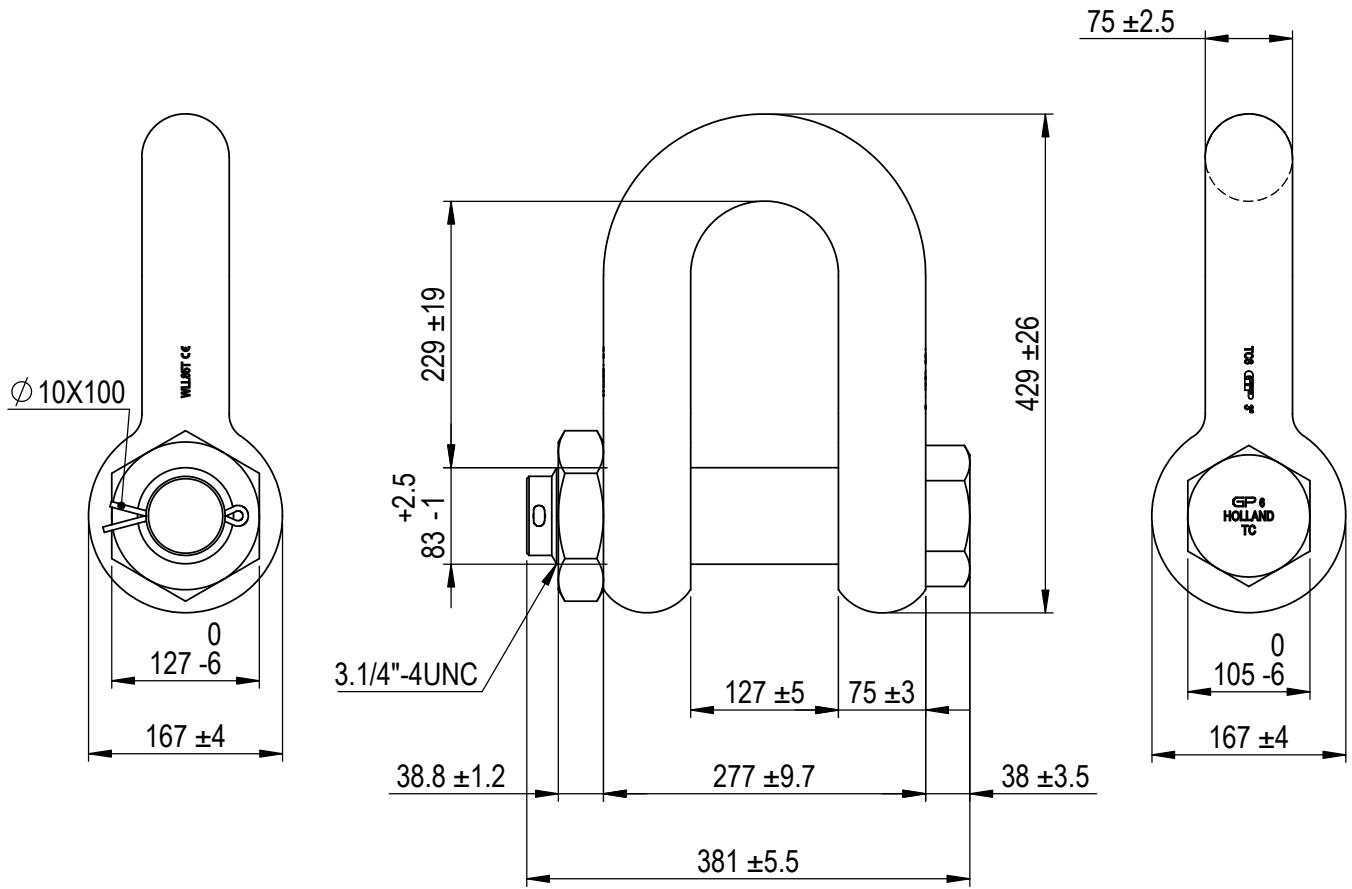


Green Pin® Dee Shackle BN
 Group : G-4153
 Part : GPGDMB75
 WLL : 85t



We reserve the right to make amendments on specifications in this drawing without prior notification.

| Rev. | Description | Date | Drawn |
|------|-----------------|----------|-------|
| A | Drawing updated | 2022-1-1 | DL |
| 0 | First Issue | 31-07-09 | H.T. |


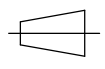
Copyright by Van Beest B.V. moreover this document is the property of Van Beest B.V. This document or any part of it may neither be made known, copied or multiplied, nor used for any purpose other than that for which it is specifically furnished, without the prior written consent of Van Beest B.V.



Green Pin®
 P.O. Box 57, 3360 AB Sliedrecht (The Netherlands)
 Industrieweg 6, 3361 HJ Sliedrecht
 Tel. +31(0)184-413300 www.greenpin.com

Title **Green Pin® Dee Shackle BN**
 Standard dee shackle with safety bolt

Remark
 G-4153
 GPGDMB75

| | | |
|----------------|-------|---|
| Format | A4 |   |
| Scale | 1:6.5 | |
| Drawing number | | Rev. |
| 5038 | | A |