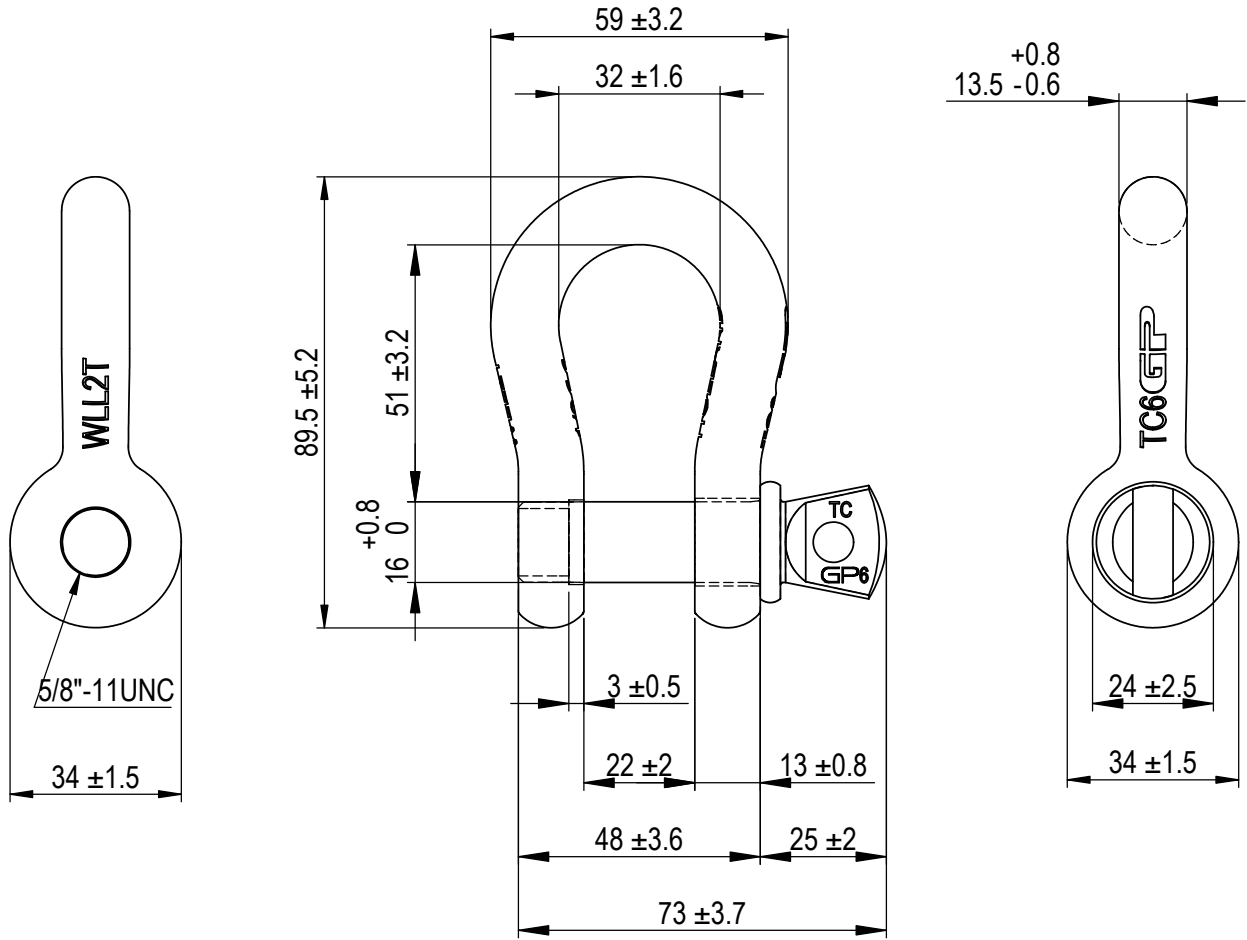


Green Pin® Bow Shackle SC

Group : G-4161

Part : GPGHBB13

WLL : 2t



We reserve the right to make amendments on specifications in this drawing without prior notification.

Rev.	Description	Date	Drawn
B	Drawing updated	2022-1-1	DL
A	Chamber in eye	13-10-11	H.T.
0	First Issue	31-07-09	H.T.

Copyright by Van Beest B.V. moreover this document is the property of Van Beest B.V. This document or any part of it may neither be made known, copied or multiplied, nor used for any purpose other than that for which it is specifically furnished, without the prior written consent of Van Beest B.V.

Green Pin®
 P.O. Box 57, 3360 AB Sliedrecht (The Netherlands)
 Industrieweg 6, 3361 HJ Sliedrecht
 Tel. +31(0)184-413300 www.greenpin.com

Title **Green Pin® Bow Shackle SC**
 Standard bow shackle with screw collar pin

Remark
 G-4161
 GPGHBB13

Format	A4		
Scale	1:1.5		
Drawing number		Rev.	
5055		B	