

Green Pin® Standard Shackles

Group : G-4161

Part : GPGHBB13

WLL : 2 t

A

B

C

D

E

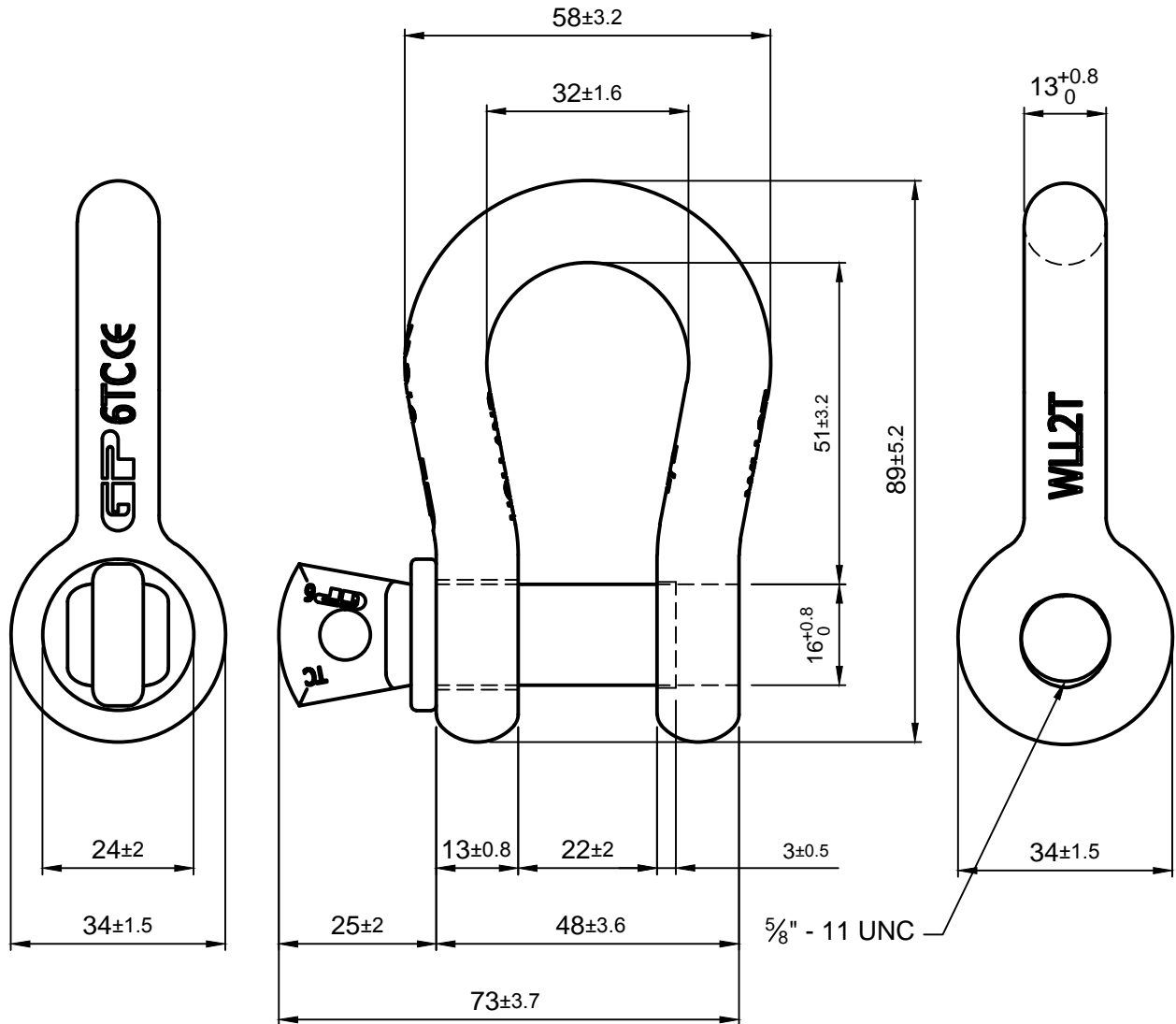
A

B

C

D

E



We reserve the right to make amendments on specifications in this drawing without prior notification.

Rev.	Description	Date	Drawn
A	Chamber in eye	13-10-11	H.T.
0	First Issue	31-07-09	H.T.

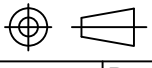
VAN BEEST 

P.O. Box 57, 3360 AB Sliedrecht
(The Netherlands)
Industrieweg 6, 3361 HJ Sliedrecht
Tel. 0184-413300 Fax. 0184-413101

Copyright by Van Beest B.V. moreover this document is the property of Van Beest B.V. This document or any part of it may neither be made known, copied or multiplied, nor used for any purpose other than that for which it is specifically furnished, without the prior written consent of Van Beest B.V.

Title	Green Pin® Standard Shackles bow shackles with screw collar pin	Remark	G-4161 GPGHBB13
-------	--	--------	--------------------

Format A4
Scale 1:1
Drawing number 5055
Rev. A



1

2

3

4

F