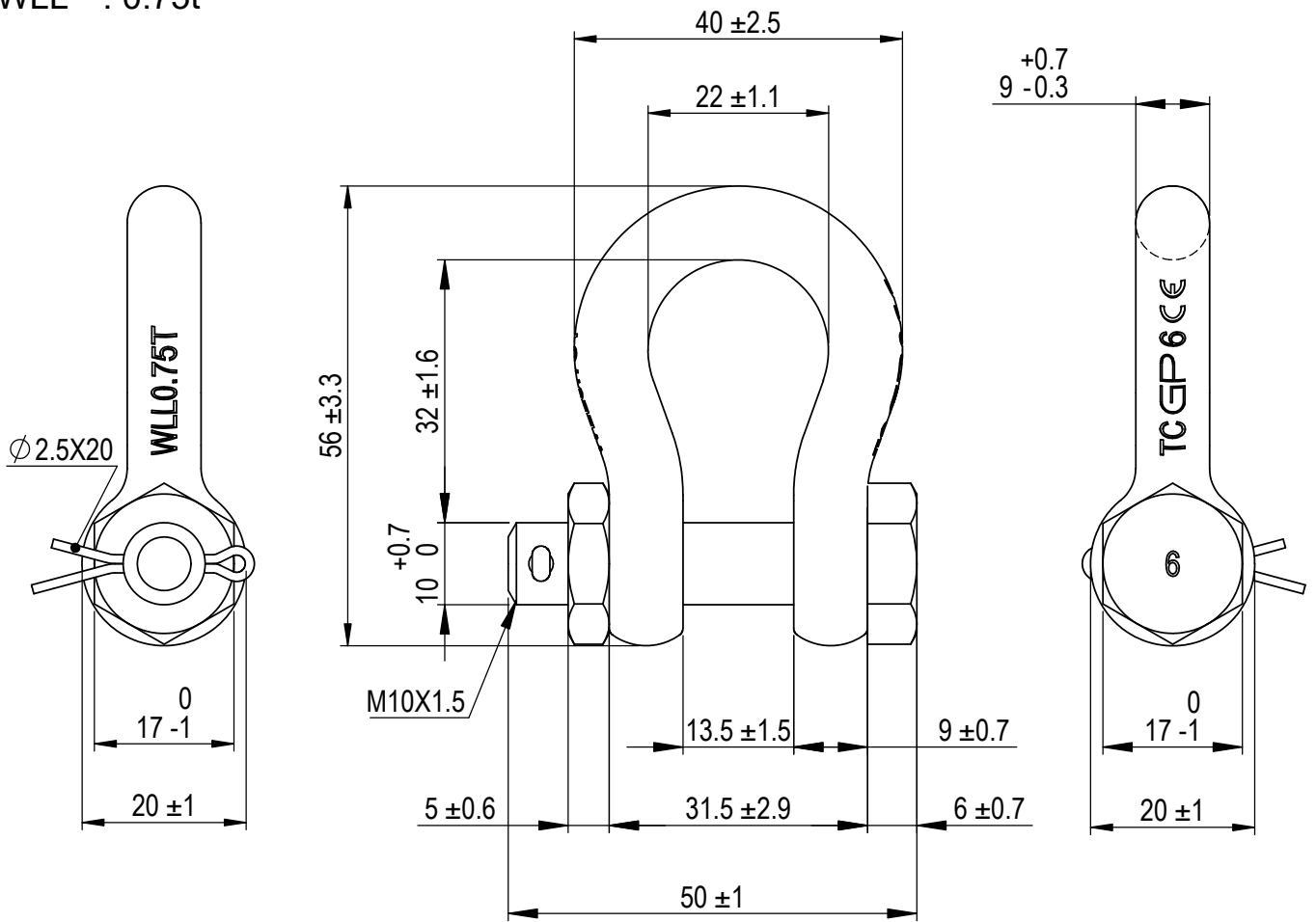


Green Pin® Bow Shackle BN
 Group : G-4163
 Part : GPGHMB08
 WLL : 0.75t



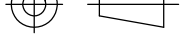
We reserve the right to make amendments on specifications in this drawing without prior notification.

Rev.	Description	Date	Drawn
A	Drawing updated	2022-1-1	DL
0	First Issue	31-07-09	H.T.

Copyright by Van Beest B.V. moreover this document is the property of Van Beest B.V. This document or any part of it may neither be made known, copied or multiplied, nor used for any purpose other than that for which it is specifically furnished, without the prior written consent of Van Beest B.V.



Green Pin®
 P.O. Box 57, 3360 AB Sliedrecht (The Netherlands)
 Industrieweg 6, 3361 HJ Sliedrecht
 Tel. +31(0)184-413300 www.greenpin.com

Title Green Pin® Bow Shackle BN Standard bow shackle with safety bolt		Remark G-4163 GPGHMB08		Format A4		
				Scale 1.125:1		Drawing number 5001