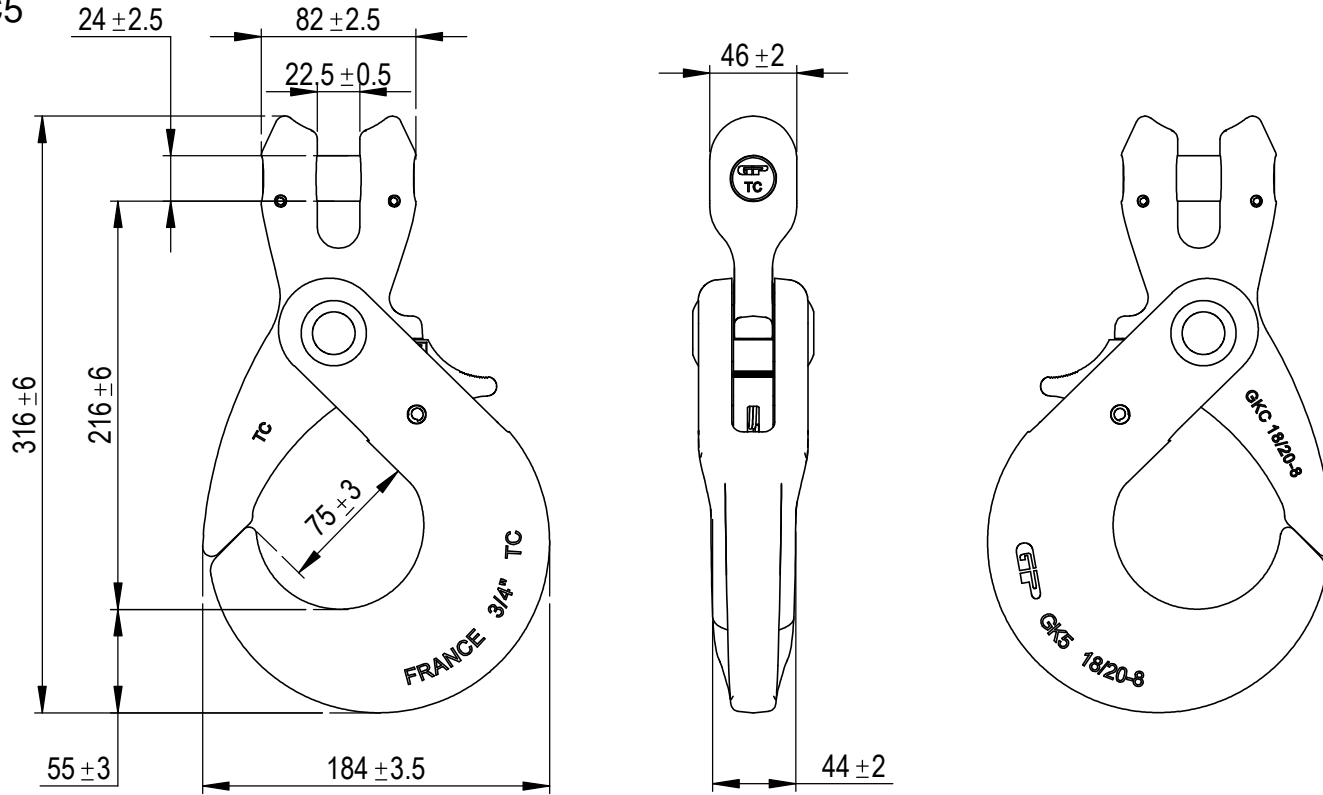


Green Pin® Self Locking Hook C GR8

Group : GKC

Part : GPGKC5

WLL : 12.8t



| | | | |
|--|-------------|-------------------------|-------|
| | | | |
| | | | |
| | | | |
| | | | |
| | | | |
| 0 | First Issue | 2019-6-22 | R.CH |
| Rev. | Description | Date | Drawn |
| Copyright by Van Beest B.V. moreover this document is the property of Van Beest B.V. This document or any part of it may neither be made known, copied or multiplied, nor used for any purpose other than that for which it is specifically furnished, without the prior written consent of Van Beest B.V. | | | |
| Title Green Pin® Self Locking Hook C GR8 | | Remark GKC GPGKC5 | |



Green Pin®
P.O. Box 57, 3360 AB Sliedrecht (The Netherlands)
Industrieweg 6, 3361 HJ Sliedrecht
Tel. +31(0)184-413300 www.greenpin.com

| | | |
|----------------|------|------|
| Format | A4 | |
| Scale | 1:4 | |
| Drawing number | 6334 | Rev. |
| | | 0 |

We reserve the right to make amendments on specifications in this drawing without prior notification.