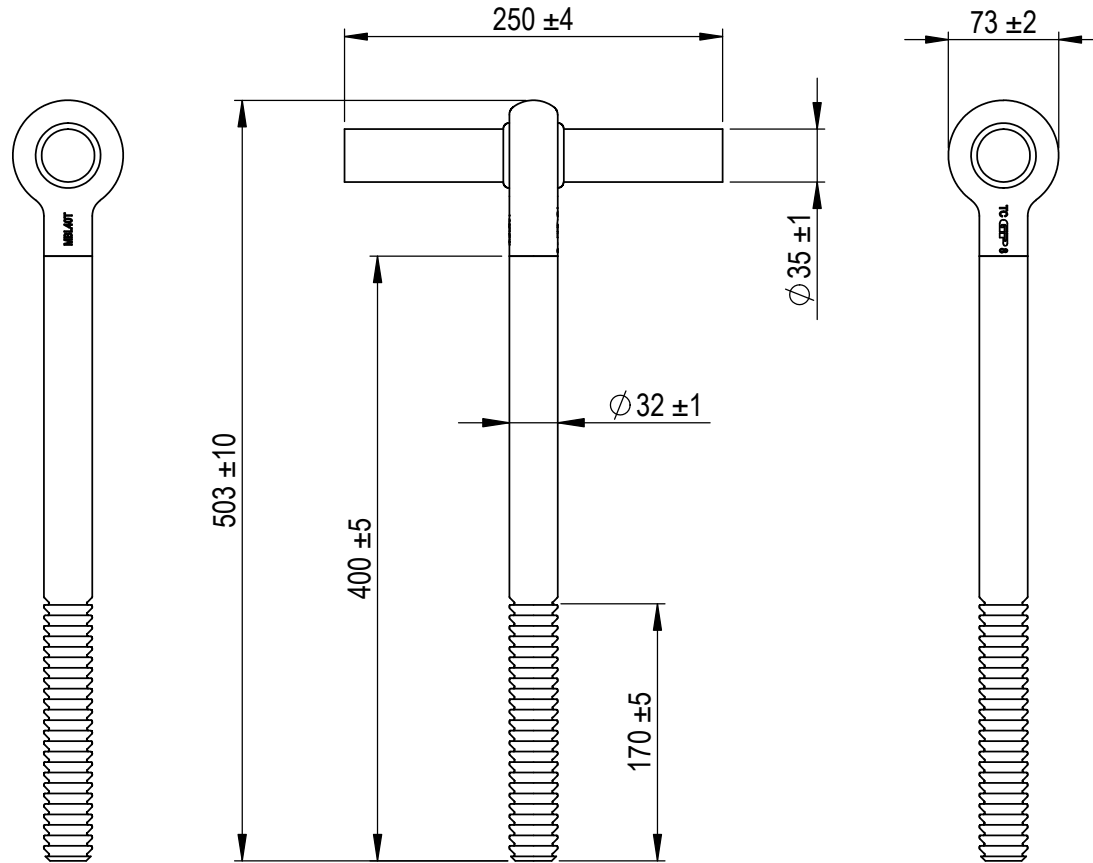


Green Pin® Mooring Bolt T  
 Group : G-8310  
 Part : GPGMTB32400  
 MBL : 40t



|      |             |           |       |
|------|-------------|-----------|-------|
| 0    | First Issue | 2021/11/1 | DL    |
| Rev. | Description | Date      | Drawn |

Copyright by Van Beest B.V. moreover this document is the property of Van Beest B.V. This document or any part of it may neither be made known, copied or multiplied, nor used for any purpose other than that for which it is specifically furnished, without the prior written consent of Van Beest B.V.

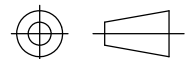
Title **Green Pin® Mooring Bolt T**  
**Bolt with T-shaped end-fitting**

Remark  
 G-8310  
 GPGMTB32400



**Green Pin®**  
 P.O. Box 57, 3360 AB Sliedrecht (The Netherlands)  
 Industrieweg 6, 3361 HJ Sliedrecht  
 Tel. +31(0)184-413300 www.greenpin.com

Format **A4**  
 Scale **1:5**



|                        |           |
|------------------------|-----------|
| Drawing number<br>8361 | Rev.<br>0 |
|------------------------|-----------|

We reserve the right to make amendments on specifications in this drawing without prior notification.