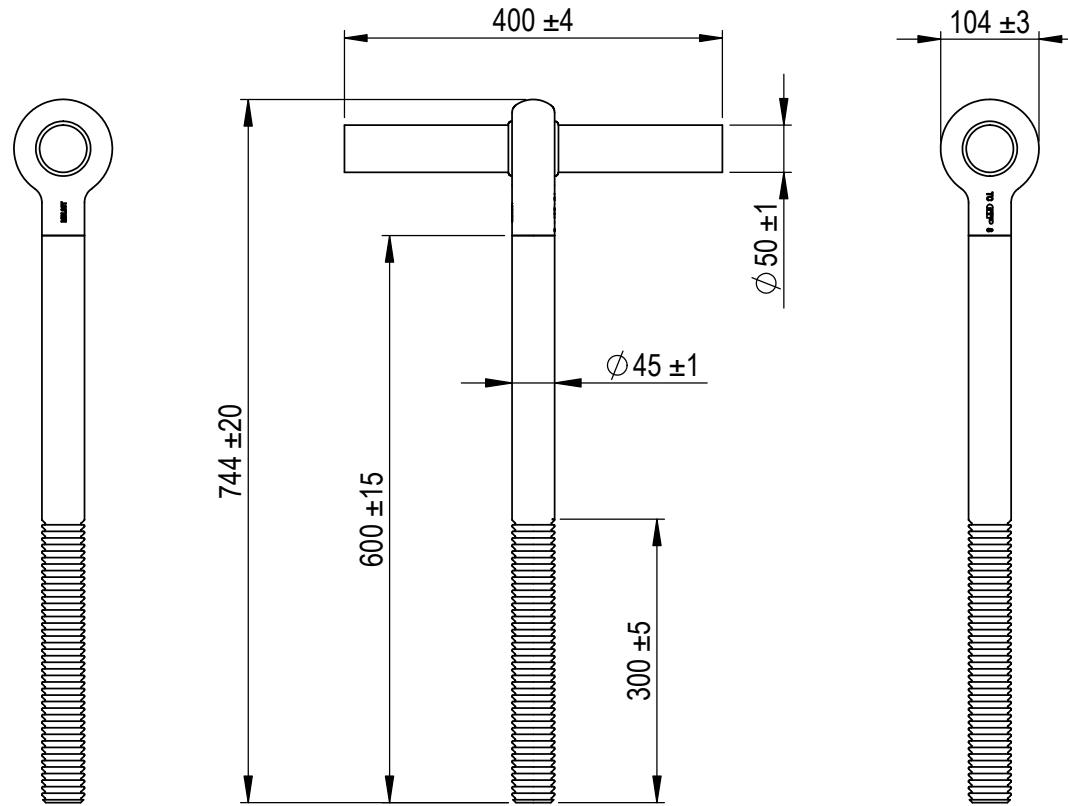


Green Pin® Mooring Bolt T
 Group : G-8310
 Part : GPGMTB45600
 MBL : 80t



Rev.	Description	Date	Drawn
A	Tolerance of mounting depth updated	2022/1/26	DL
0	First Issue	2021/11/1	DL

Copyright by Van Beest B.V. moreover this document is the property of Van Beest B.V. This document or any part of it may neither be made known, copied or multiplied, nor used for any purpose other than that for which it is specifically furnished, without the prior written consent of Van Beest B.V.

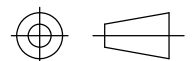
Title **Green Pin® Mooring Bolt T**
Bolt with T-shaped end-fitting

Remark
 G-8310
 GPGMTB45600



Green Pin®
 P.O. Box 57, 3360 AB Sliedrecht (The Netherlands)
 Industrieweg 6, 3361 HJ Sliedrecht
 Tel. +31(0)184-413300 www.greenpin.com

Format **A4**
 Scale **1:8**



Drawing number **8363** Rev. **A**

We reserve the right to make amendments on specifications in this drawing without prior notification.