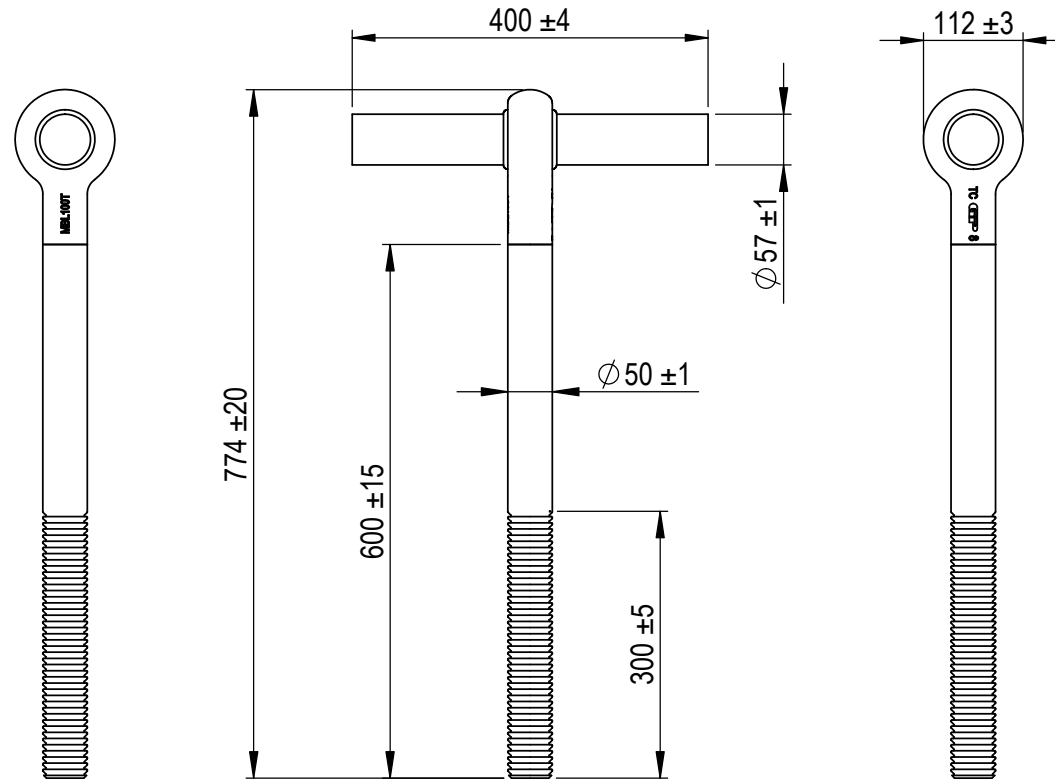


Green Pin® Mooring Bolt T  
 Group : G-8310  
 Part : GPGMTB50600  
 MBL : 100t



Rev.	Description	Date	Drawn
A	Tolerance of mounting depth updated	2022/1/26	DL
0	First Issue	2021/11/1	DL

Copyright by Van Beest B.V. moreover this document is the property of Van Beest B.V. This document or any part of it may neither be made known, copied or multiplied, nor used for any purpose other than that for which it is specifically furnished, without the prior written consent of Van Beest B.V.

Title **Green Pin® Mooring Bolt T**  
**Bolt with T-shaped end-fitting**

Remark  
 G-8310  
 GPGMTB50600



**Green Pin®**  
 P.O. Box 57, 3360 AB Sliedrecht (The Netherlands)  
 Industrieweg 6, 3361 HJ Sliedrecht  
 Tel. +31(0)184-413300 www.greenpin.com

Format	A4	
Scale	1:8.5	

Drawing number	Rev.
8364	A

We reserve the right to make amendments on specifications in this drawing without prior notification.