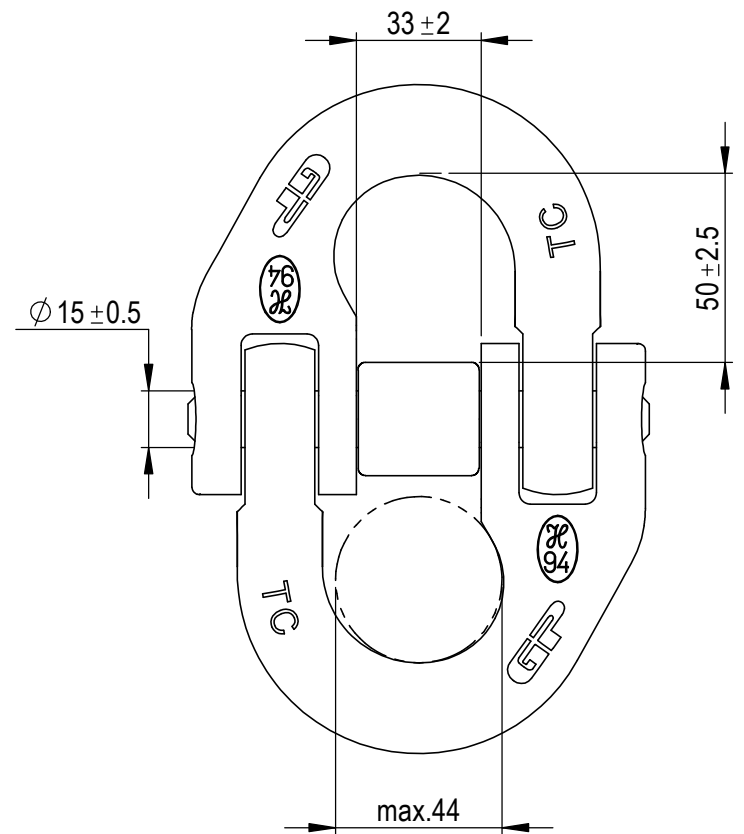
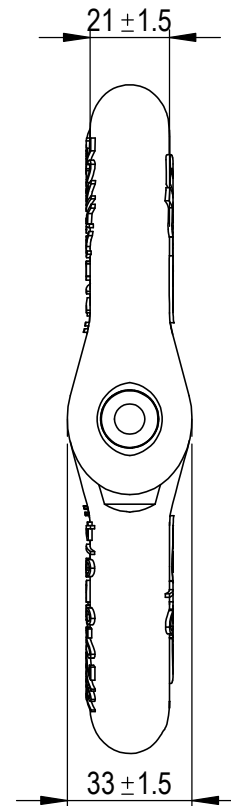
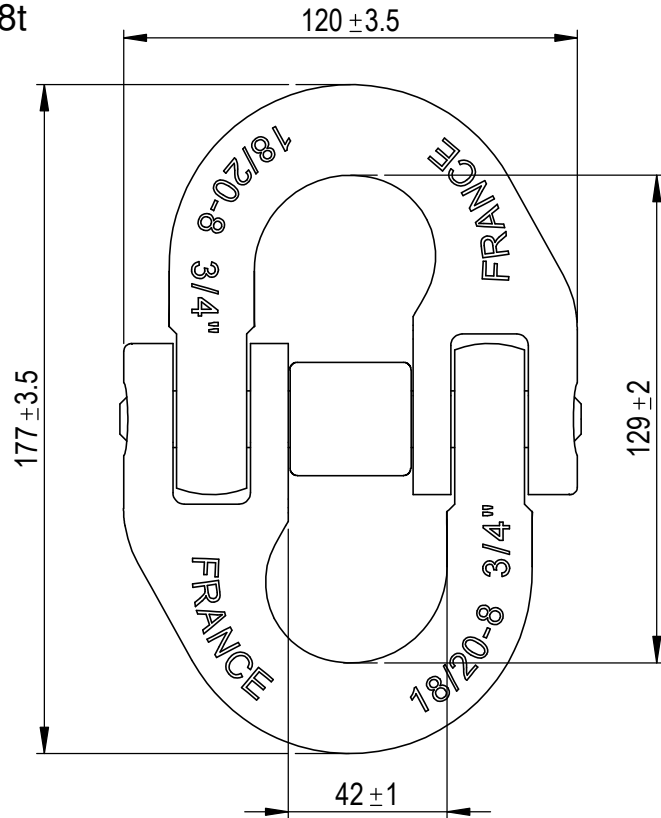


Green Pin® Connecting link EN1677-1 GR8

Group : MJ

Part : GPMJ18/20

WLL : 12.8t



0	First Issue	2018-11-9	R.CH
Rev.	Description	Date	Drawn
Copyright by Van Beest B.V. moreover this document is the property of Van Beest B.V. This document or any part of it may neither be made known, copied or multiplied, nor used for any purpose other than that for which it is specifically furnished, without the prior written consent of Van Beest B.V.			
Title Green Pin® Connecting link EN1677-1 GR8		Remark MJ GPMJ18/20	



Green Pin®  
 P.O. Box 57, 3360 AB Sliedrecht (The Netherlands)  
 Industrieweg 6, 3361 HJ Sliedrecht  
 Tel. +31(0)184-413300 www.greenpin.com

Format	A4	
Scale	1:2	
Drawing number	5655	Rev. 0

We reserve the right to make amendments on specifications in this drawing without prior notification.