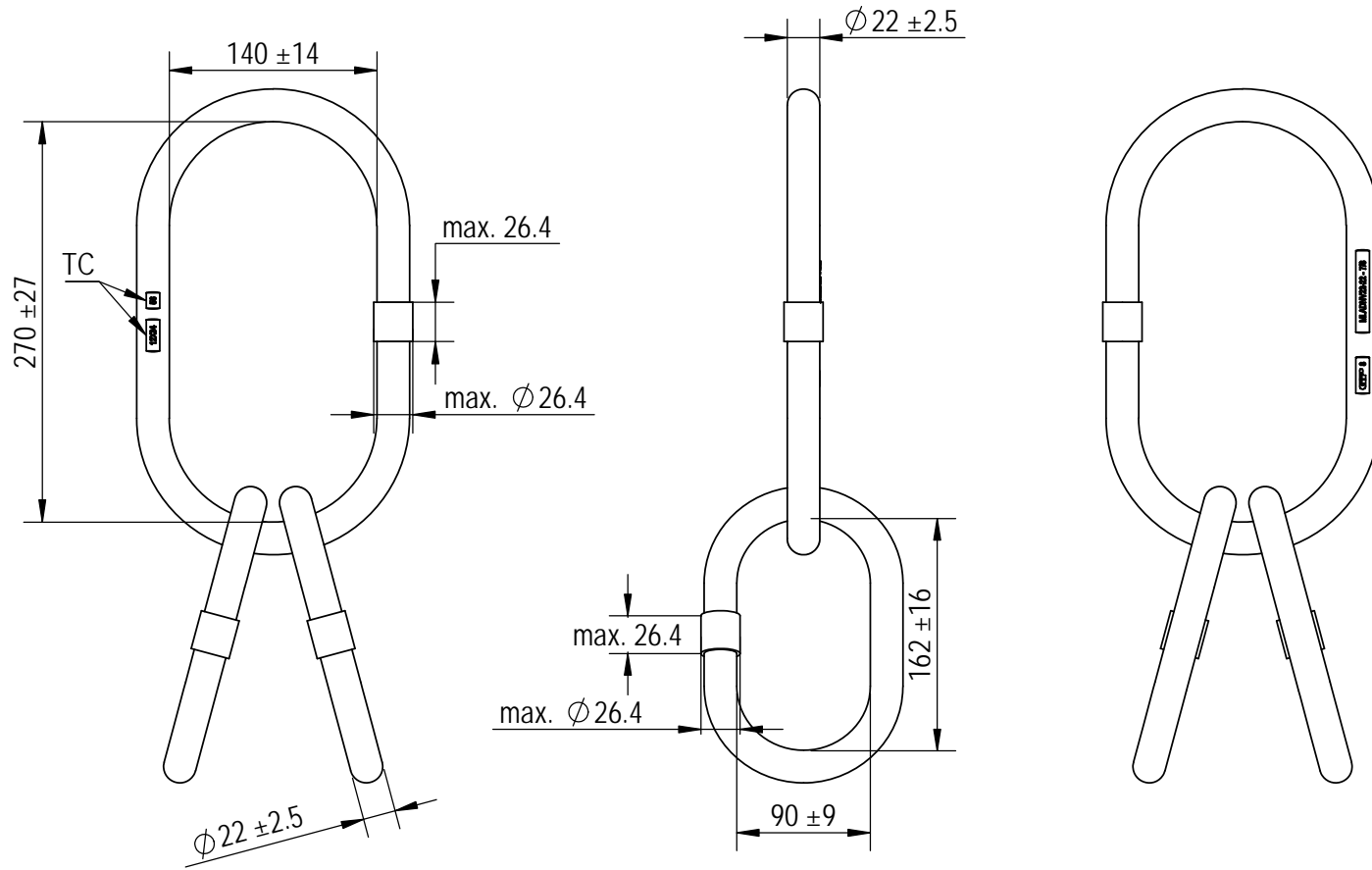


Green Pin® DNV Master Link Assembly, grade 8

Group : P-6820

Part : GPMLADNV22

WLL : 7t



Rev.	Description	Date	Drawn
A	Marking updated	2022/1/1	DL
0	First Issue	2017-12-15	DL

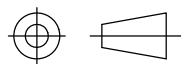
Copyright by Van Beest B.V. moreover this document is the property of Van Beest B.V. This document or any part of it may neither be made known, copied or multiplied, nor used for any purpose other than that for which it is specifically furnished, without the prior written consent of Van Beest B.V.

Title Green Pin® DNV Master Link Assembly, grade 8
DNV 2.7-1, EN 12079-2 and EN 1677-4

Remark
P-6820
GPMLADNV22



Green Pin®
P.O. Box 57, 3360 AB Sliedrecht (The Netherlands)
Industrieweg 6, 3361 HJ Sliedrecht
Tel. +31(0)184-413300 www.greenpin.com

Format	A4	
Scale	1:5	
Drawing number	7466	Rev.
		A