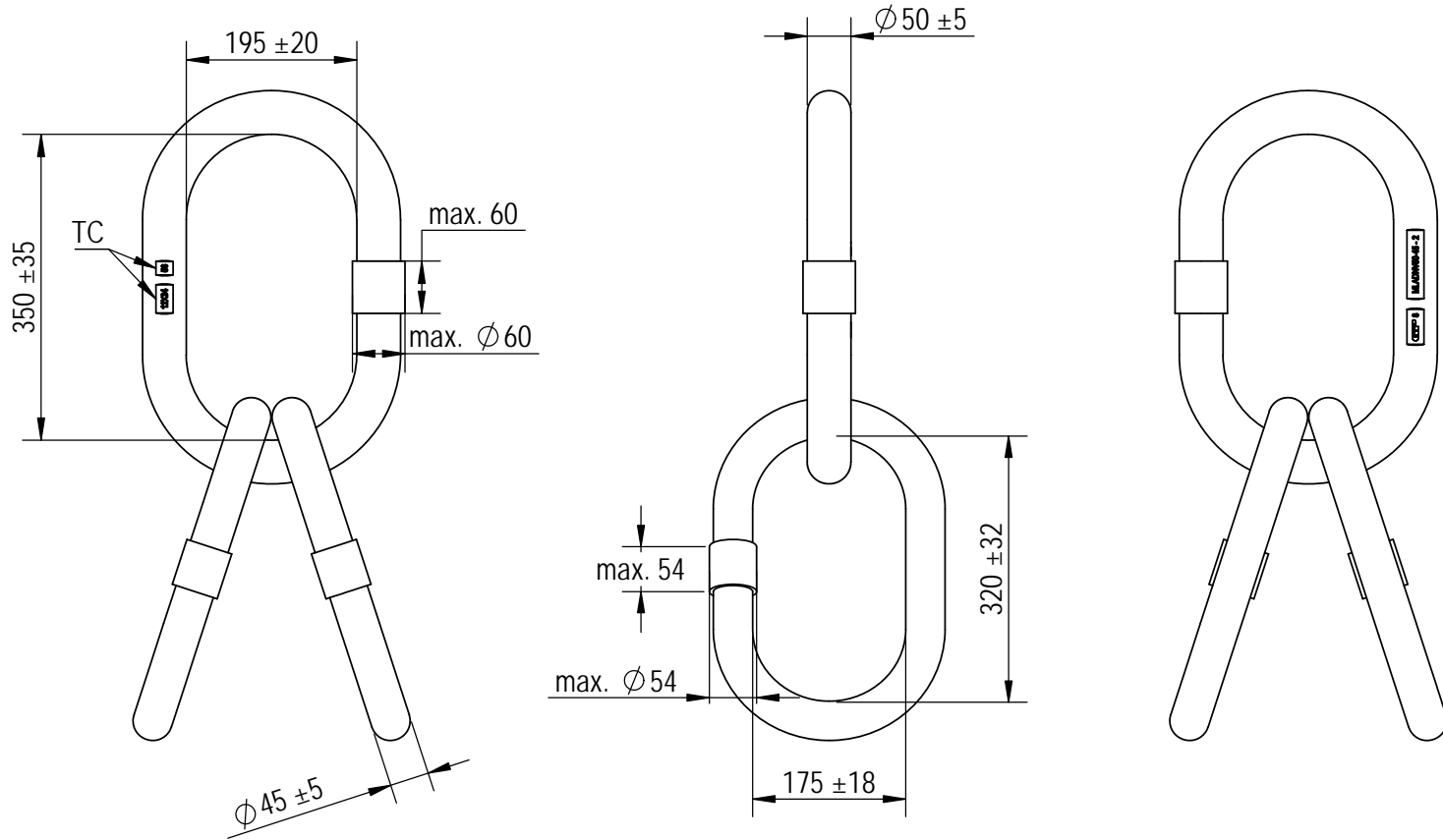


Green Pin® DNV Master Link Assembly, grade 8  
 Group : P-6820  
 Part : GPMLADNV50  
 WLL : 51t



Rev.	Description	Date	Drawn
A	Marking updated	2022/1/1	DL
0	First Issue	2017-12-15	DL

Copyright by Van Beest B.V. moreover this document is the property of Van Beest B.V. This document or any part of it may neither be made known, copied or multiplied, nor used for any purpose other than that for which it is specifically furnished, without the prior written consent of Van Beest B.V.

Title	Green Pin® DNV Master Link Assembly, grade 8 DNV 2.7-1, EN 12079-2 and EN 1677-4	Remark	P-6820 GPMLADNV50
-------	---	--------	----------------------



P.O. Box 57, 3360 AB Sliedrecht (The Netherlands)  
 Industrieweg 6, 3361 HJ Sliedrecht  
 Tel. +31(0)184-413300 www.greenpin.com

Format	A4		
Scale	1:8.5		
Drawing number	7473	Rev.	A