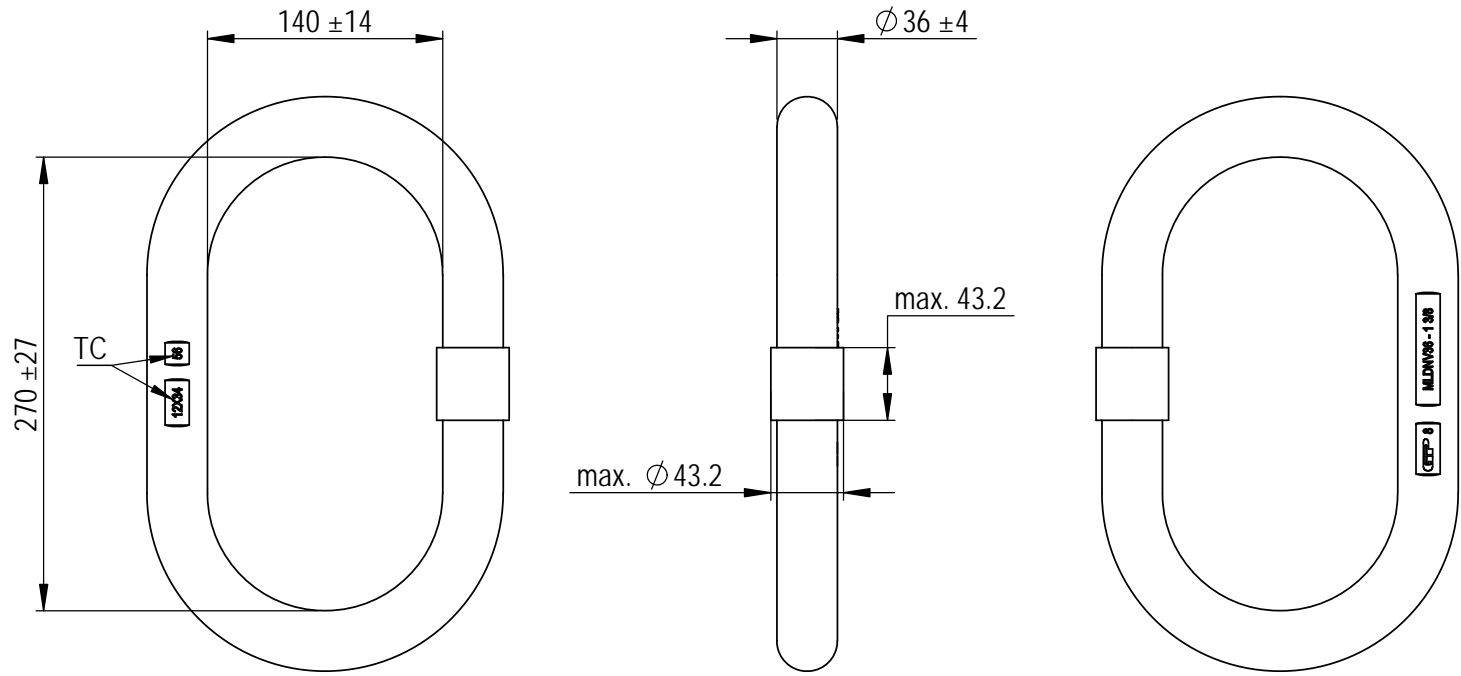



Green Pin® DNV Master Link, grade 8  
 Group : P-6810  
 Part : GPMLDNV36  
 WLL : 26t

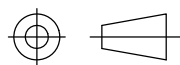


A	Marking updated	2022/1/1	DL
0	First Issue	2015-6-1	DL
Rev.	Description	Date	Drawn
Copyright by Van Beest B.V. moreover this document is the property of Van Beest B.V. This document or any part of it may neither be made known, copied or multiplied, nor used for any purpose other than that for which it is specifically furnished, without the prior written consent of Van Beest B.V.			
Title <b>Green Pin® DNV Master Link, grade 8</b> <b>DNV 2.7-1, EN 12079-2 and EN 1677-4</b>		Remark P-6810 GPMLDNV36	



**Green Pin®**

P.O. Box 57, 3360 AB Sliedrecht (The Netherlands)  
 Industrieweg 6, 3361 HJ Sliedrecht  
 Tel. +31(0)184-413300 www.greenpin.com

Format	A4	
Scale	1:4.5	
Drawing number	7421	Rev.
		A

We reserve the right to make amendments on specifications in this drawing without prior notification.