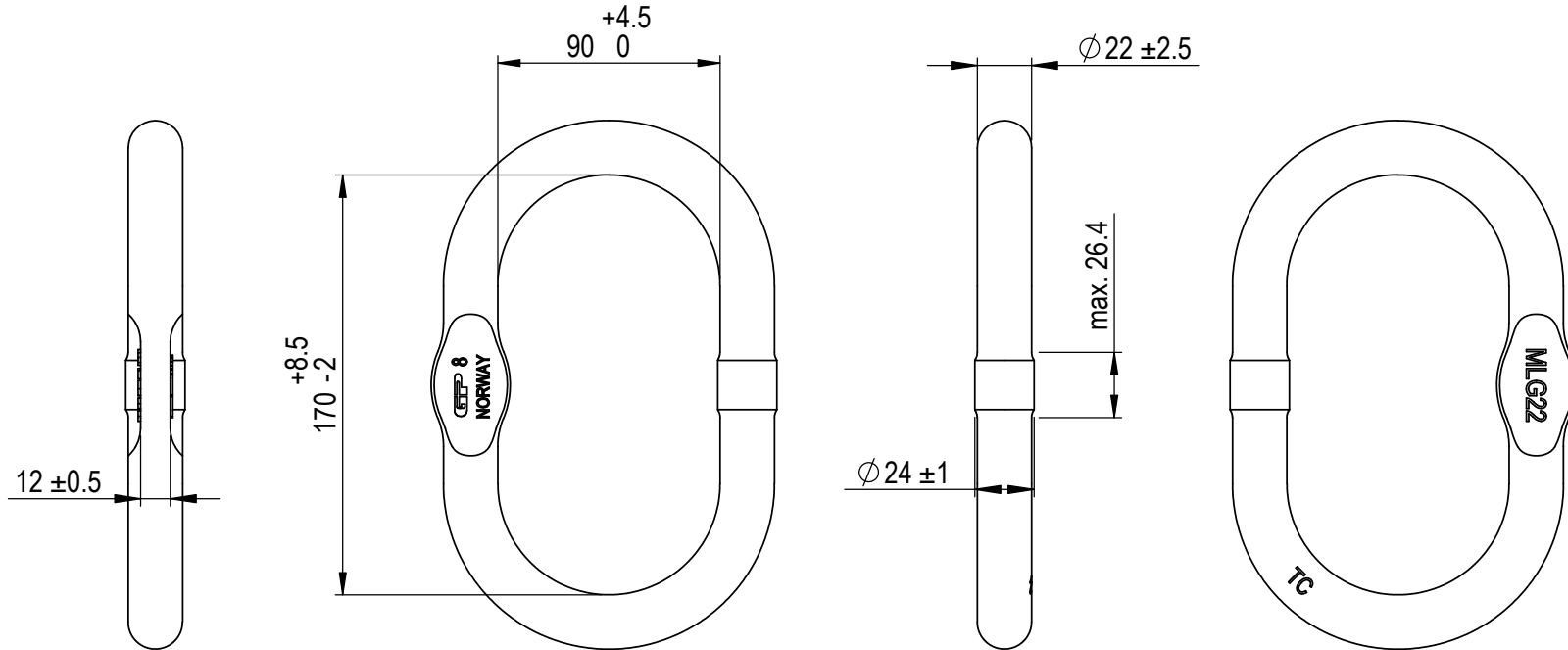


Green Pin® Master Link NS9415 GR8

Group : G-6870
 Part : GPMLG22
 MBL : 32.8t



| Rev. | Description | Date | Drawn |
|------|-------------|----------|-------|
| 0 | First Issue | 2022-8-1 | DL |

Copyright by Van Beest B.V. moreover this document is the property of Van Beest B.V. This document or any part of it may neither be made known, copied or multiplied, nor used for any purpose other than that for which it is specifically furnished, without the prior written consent of Van Beest B.V.

Title **Green Pin® Master Link NS9415 GR8**

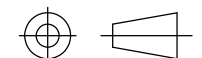
Remark
 G-6870
 GPMLG22



Green Pin®

P.O. Box 57, 3360 AB Sliedrecht (The Netherlands)
 Industrieweg 6, 3361 HJ Sliedrecht
 Tel. +31(0)184-413300 www.greenpin.com

Format **A4**
 Scale **1:3**



| | |
|------------------------|-----------|
| Drawing number 6940 | Rev. 0 |
|------------------------|-----------|

We reserve the right to make amendments on specifications in this drawing without prior notification.