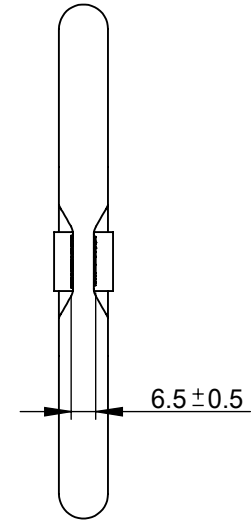
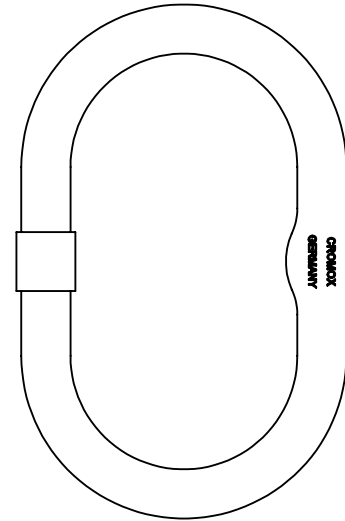
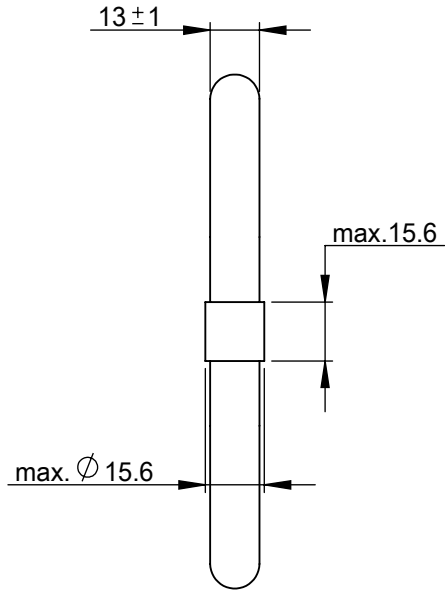
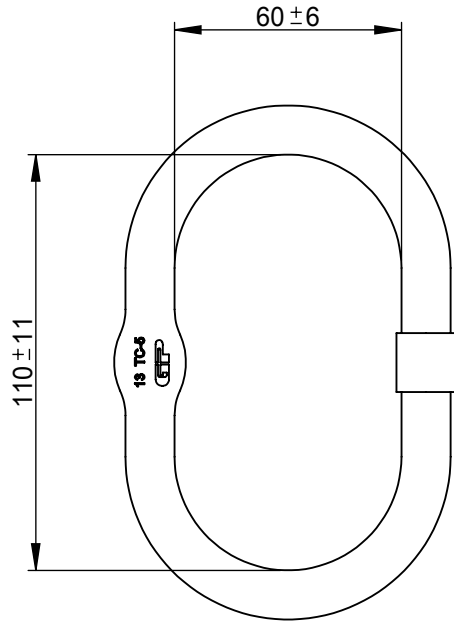


Green Pin® Master Link S/S-GR5

Group : MSI

Part : GPMS13I

WLL : 1t



Rev.	Description	Date	Drawn
0	First Issue	2019-3-8	R.CH


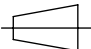
Copyright by Van Beest B.V. moreover this document is the property of Van Beest B.V. This document or any part of it may neither be made known, copied or multiplied, nor used for any purpose other than that for which it is specifically furnished, without the prior written consent of Van Beest B.V.

Title **Green Pin® Master Link S/S-GR5**

Remark  
MSI  
GPMS13I



P.O. Box 57, 3360 AB Sliedrecht (The Netherlands)  
Industrieweg 6, 3361 HJ Sliedrecht  
Tel. +31(0)184-413300 www.greenpin.com

Format	A4	 	
Scale	1:2		
Drawing number	5735	Rev.	0

We reserve the right to make amendments on specifications in this drawing without prior notification.