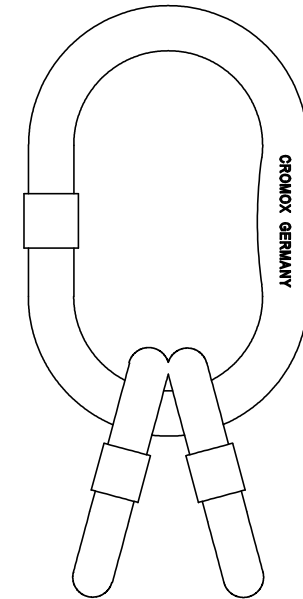
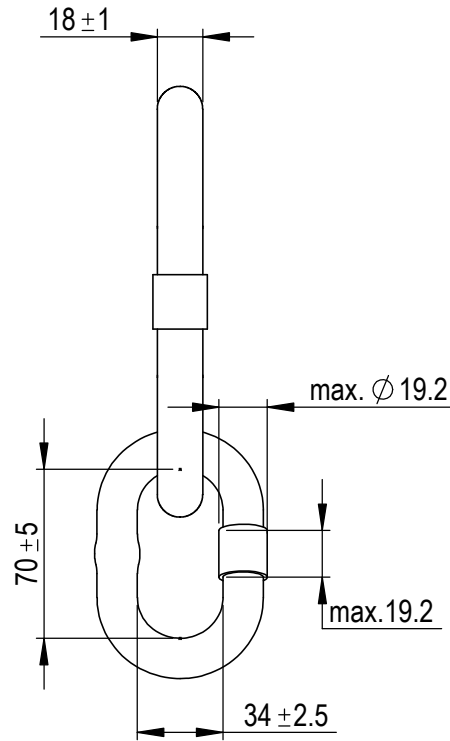
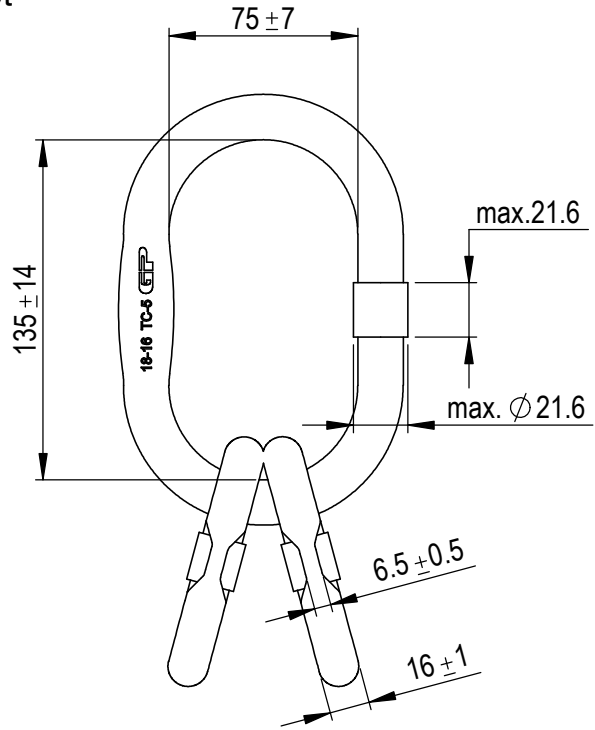


Green Pin® Master Link Assembly S/S-GR5

Group : MTSI

Part : GPMTS18I

WLL : 1.6t



Rev.	Description	Date	Drawn
A	Modify the sublink	2024-9-26	R.CH
0	First Issue	2019-3-8	R.CH

Copyright by Van Beest B.V. moreover this document is the property of Van Beest B.V. This document or any part of it may neither be made known, copied or multiplied, nor used for any purpose other than that for which it is specifically furnished, without the prior written consent of Van Beest B.V.

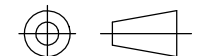
Title Green Pin® Master Link Assembly S/S-GR5

Remark
MTSI
GPMTS18I



Green Pin®
P.O. Box 57, 3360 AB Sliedrecht (The Netherlands)
Industrieweg 6, 3361 HJ Sliedrecht
Tel. +31(0)184-413300 www.greenpin.com

Format A4
Scale 1:3



Drawing number 5785
Rev. A

We reserve the right to make amendments on specifications in this drawing without prior notification.