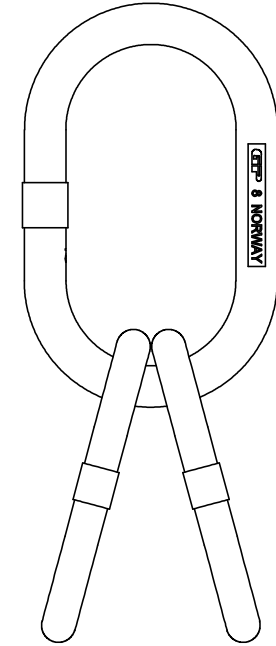
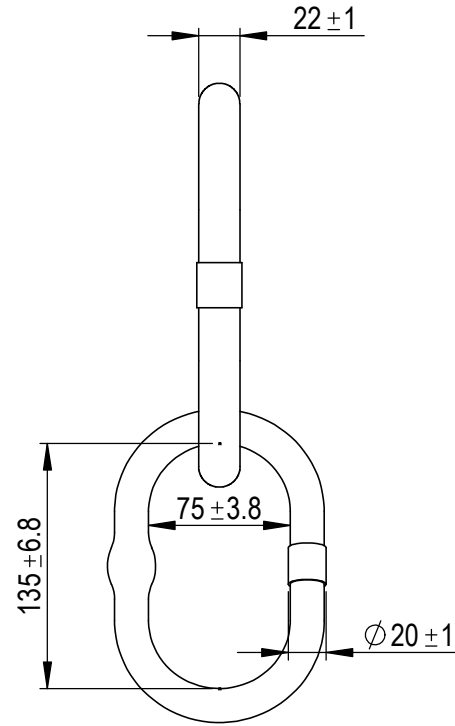
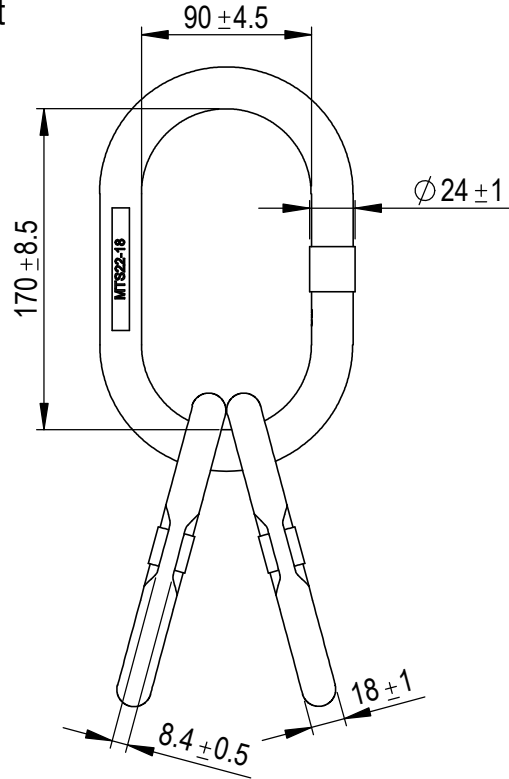


Green Pin® Master Link Assembly En1677-4 GR8

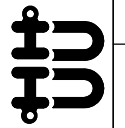
Group : MTS

Part : GPMTS22


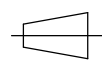
WLL : 6.5t



A	Modify the marking	2021-3-31	R.CH
0	First Issue	2015-3-1	R.CH
Rev.	Description	Date	Drawn
Copyright by Van Beest B.V. moreover this document is the property of Van Beest B.V. This document or any part of it may neither be made known, copied or multiplied, nor used for any purpose other than that for which it is specifically furnished, without the prior written consent of Van Beest B.V.			
Title Green Pin® Master Link Assembly En1677-4 GR8		Remark MTS GPMTS22	

VAN BEEST 

P.O. Box 57, 3360 AB Sliedrecht
(The Netherlands)
Industrieweg 6, 3361 HJ Sliedrecht
Tel. +31(0)184-413300 www.vanbeest.nl

Format	A4		
Scale	1:4		
Drawing number		Rev.	
5752		A	

We reserve the right to make amendments on specifications in this drawing without prior notification.

A

B

C

D

E

F