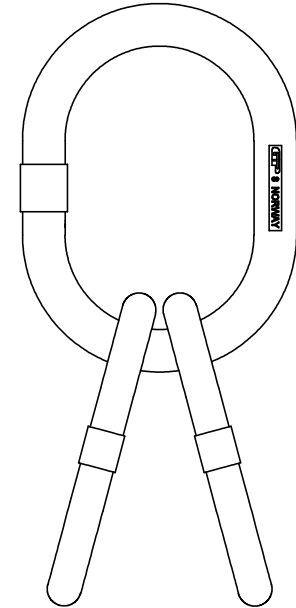
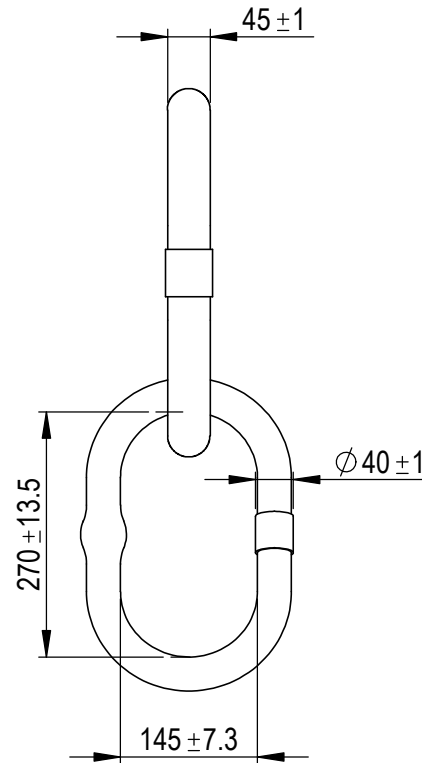
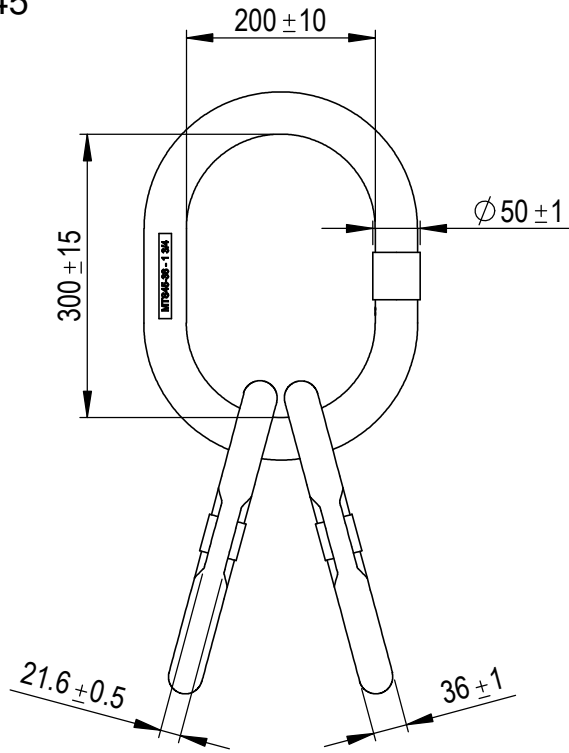


Green Pin® Master Link Assembly En1677-4 GR8

Group : MTS

Part : GPMTS45

WLL : 30t



Rev.	Description	Date	Drawn
A	Modify the amrking	2021-3-31	R.CH
0	First Issue	2015-3-1	R.CH

Copyright by Van Beest B.V. moreover this document is the property of Van Beest B.V. This document or any part of it may neither be made known, copied or multiplied, nor used for any purpose other than that for which it is specifically furnished, without the prior written consent of Van Beest B.V.

Title	Green Pin® Master Link Assembly En1677-4 GR8	Remark	MTS GPMTS45
-------	--	--------	----------------



P.O. Box 57, 3360 AB Sliedrecht
(The Netherlands)
Industrieweg 6, 3361 HJ Sliedrecht
Tel. +31(0)184-413300 www.vanbeest.nl

Format	A4		
Scale	1:8		
Drawing number	5758	Rev.	A

We reserve the right to make amendments on specifications in this drawing without prior notification.