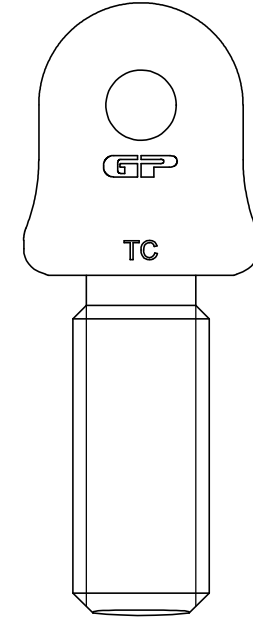
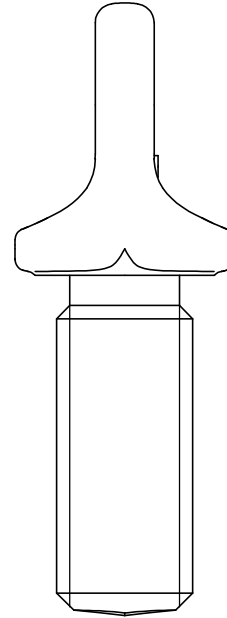
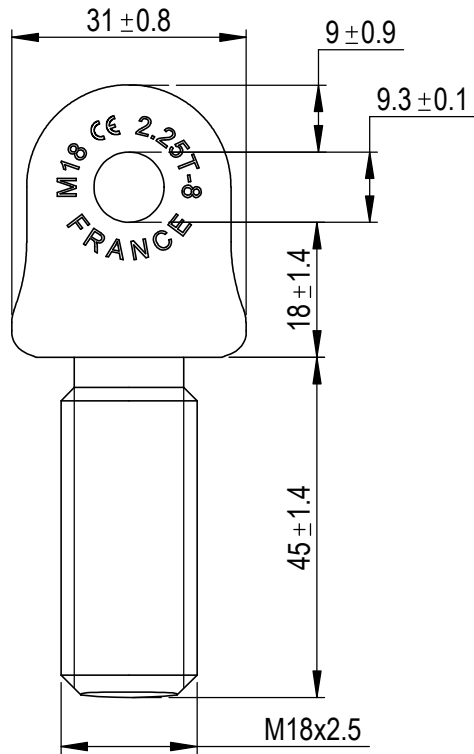


Green Pin® Small Lifting Eye GR8

Group : OL

Part : GPOL18

WLL : 2.25t



0	First Issue	2019-10-25	R.CH
Rev.	Description	Date	Drawn
Copyright by Van Beest B.V. moreover this document is the property of Van Beest B.V. This document or any part of it may neither be made known, copied or multiplied, nor used for any purpose other than that for which it is specifically furnished, without the prior written consent of Van Beest B.V.			
Title Green Pin® Small Lifting Eye GR8		Remark OL GPOL18	

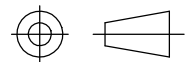


Green Pin®

P.O. Box 57, 3360 AB Sliedrecht (The Netherlands)
Industrieweg 6, 3361 HJ Sliedrecht
Tel. +31 (0)184-413300 www.greenpin.com

Format **A4**

Scale **1:1**



Drawing number
7755

Rev.
0

We reserve the right to make amendments on specifications in this drawing without prior notification.