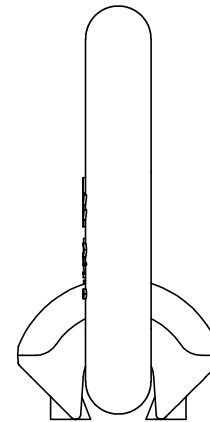
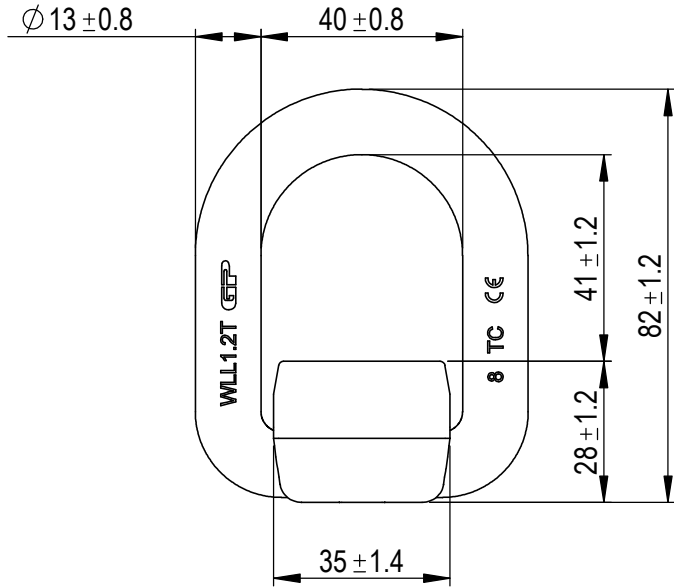


Green Pin® Weld-On Transport Ring

Group : PAS

Part : GPPAS1

WLL : 1.2t



Rev.	Description	Date	Drawn
0	First Issue	2019-10-15	R.CH
Copyright by Van Beest B.V. moreover this document is the property of Van Beest B.V. This document or any part of it may neither be made known, copied or multiplied, nor used for any purpose other than that for which it is specifically furnished, without the prior written consent of Van Beest B.V.			
Title Green Pin® Weld-On Transport Ring		Remark PAS GPPAS1	



P.O. Box 57, 3360 AB Sliedrecht (The Netherlands)
Industrieweg 6, 3361 HJ Sliedrecht
Tel. +31 (0)184-413300 www.greenpin.com

Format	A4	
Scale	1:1.5	
Drawing number		Rev.
7775		0

We reserve the right to make amendments on specifications in this drawing without prior notification.