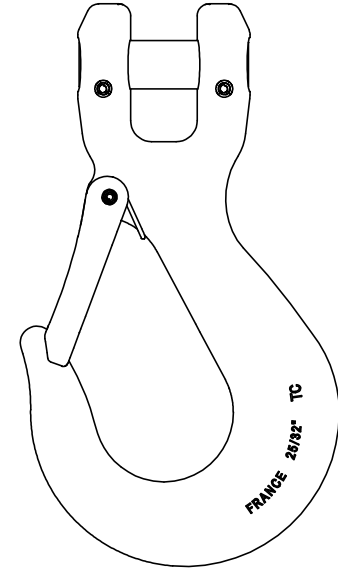
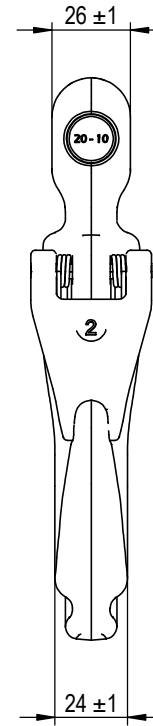
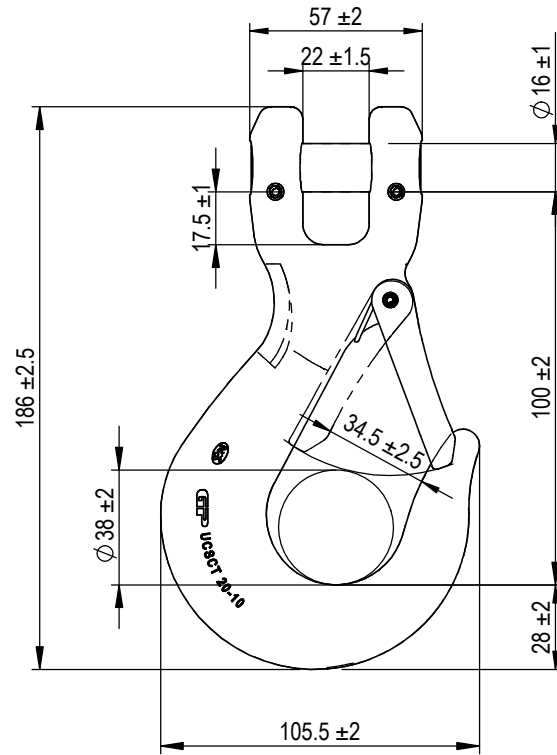
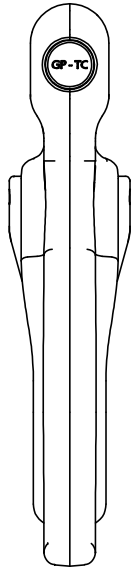


Green Pin Tycan® Sling Hook CL GR10
 Group : UCSCT
 Part : GPUCSCT20
 WLL : 4t



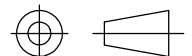
| 0 | First Issue | 2019-10-1 | DL |
|--|-------------|------------------------------|-------|
| Rev. | Description | Date | Drawn |
| Copyright by Van Beest B.V. moreover this document is the property of Van Beest B.V. This document or any part of it may neither be made known, copied or multiplied, nor used for any purpose other than that for which it is specifically furnished, without the prior written consent of Van Beest B.V. | | | |
| Title Green Pin Tycan® Sling Hook CL GR10 | | Remark UCSCT GPUCSCT20 | |



Green Pin®

P.O. Box 57, 3360 AB Sliedrecht (The Netherlands)
 Industrieweg 6, 3361 HJ Sliedrecht
 Tel. +31(0)184-413300 www.greenpin.com

Format A4
 Scale 1:2.5



Drawing number 6342
 Rev. 0

We reserve the right to make amendments on specifications in this drawing without prior notification.