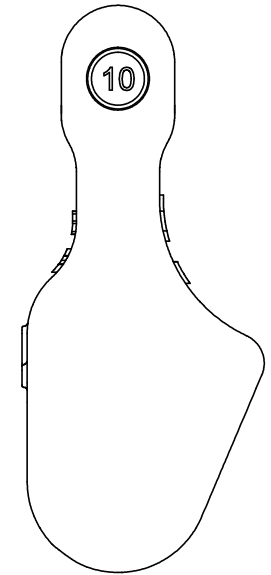
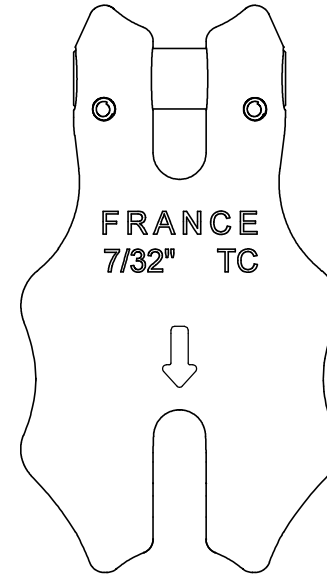
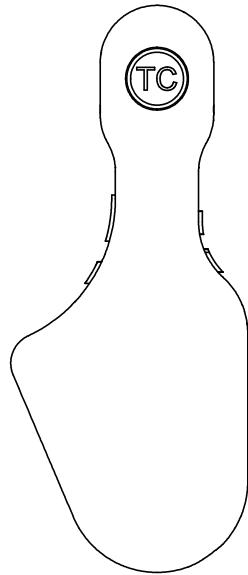
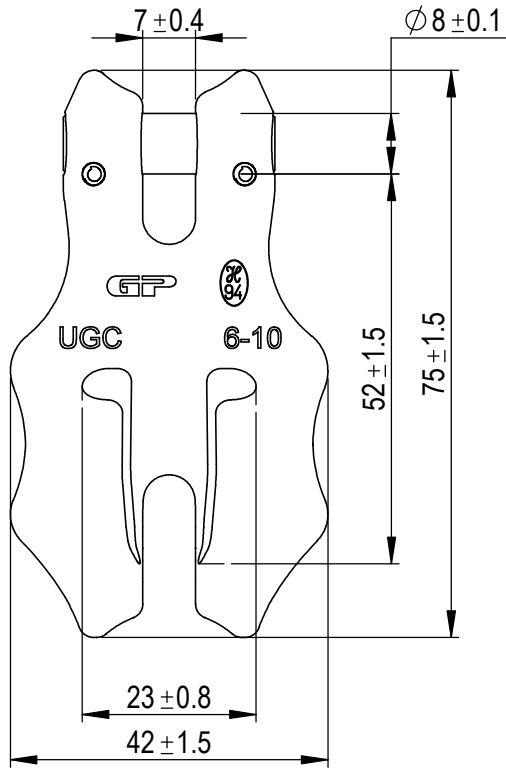


Green Pin® Shortening Clutch GR10

Group : UGC

Part : GPUGC6

WLL : 1.4t



Rev.	Description	Date	Drawn
0	First Issue	2019-7-22	R.CH

Copyright by Van Beest B.V. moreover this document is the property of Van Beest B.V. This document or any part of it may neither be made known, copied or multiplied, nor used for any purpose other than that for which it is specifically furnished, without the prior written consent of Van Beest B.V.

Title Green Pin® Shortening Clutch GR10		Remark	
		UGC	
		GPUGC6	



P.O. Box 57, 3360 AB Sliedrecht (The Netherlands)  
 Industrieweg 6, 3361 HJ Sliedrecht  
 Tel. +31(0)184-413300 www.greenpin.com

Format	A4	
Scale	1:1	
Drawing number	7545	Rev.
		0

We reserve the right to make amendments on specifications in this drawing without prior notification.