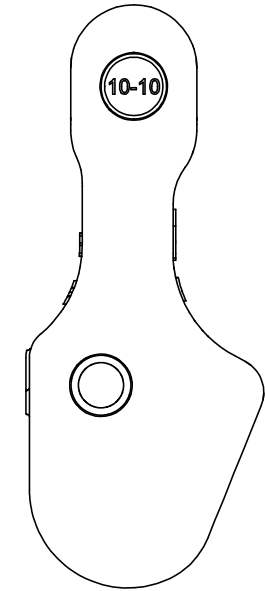
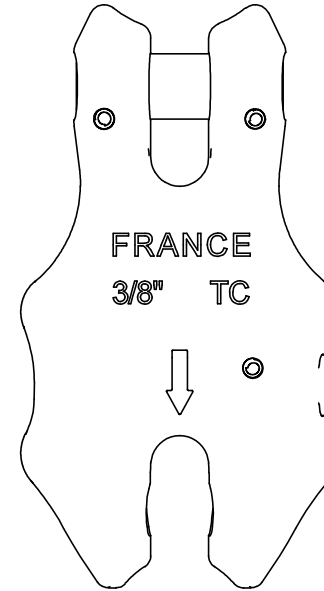
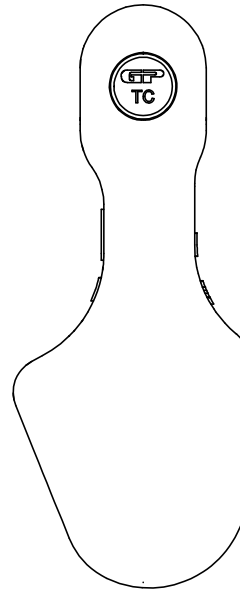
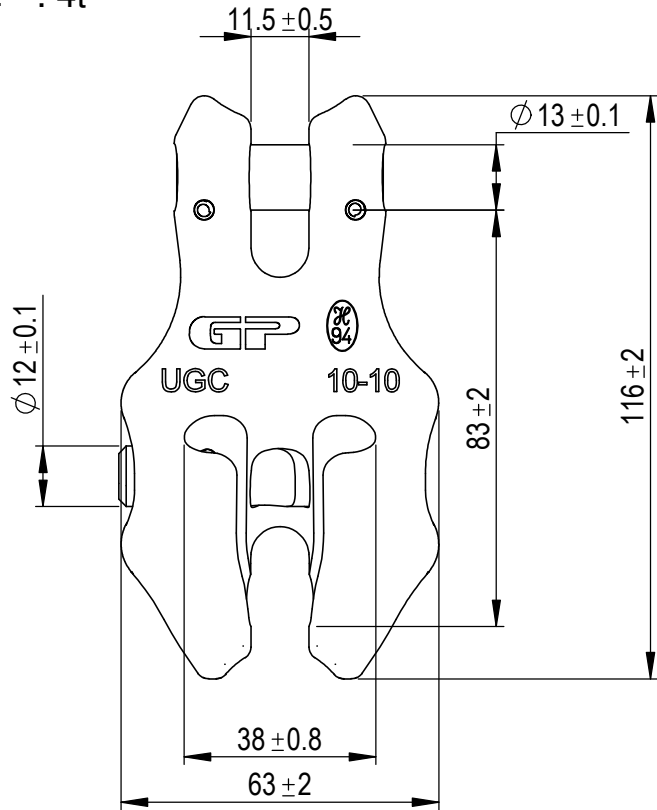




Green Pin® Shortening Clutch with lock GR10  
 Group : UGCV  
 Part : GPUGCV10  
 WLL : 4t



Rev.	Description	Date	Drawn
0	First Issue	2019-7-31	R.CH
Copyright by Van Beest B.V. moreover this document is the property of Van Beest B.V. This document or any part of it may neither be made known, copied or multiplied, nor used for any purpose other than that for which it is specifically furnished, without the prior written consent of Van Beest B.V.			
Title Green Pin® Shortening Clutch with lock GR10		Remark UGCV GPUGCV10	



P.O. Box 57, 3360 AB Sliedrecht (The Netherlands)  
 Industrieweg 6, 3361 HJ Sliedrecht  
 Tel. +31(0)184-413300 www.greenpin.com

Format	A4	 
Scale	1:1.5	
Drawing number	7562	Rev.
		0

We reserve the right to make amendments on specifications in this drawing without prior notification.