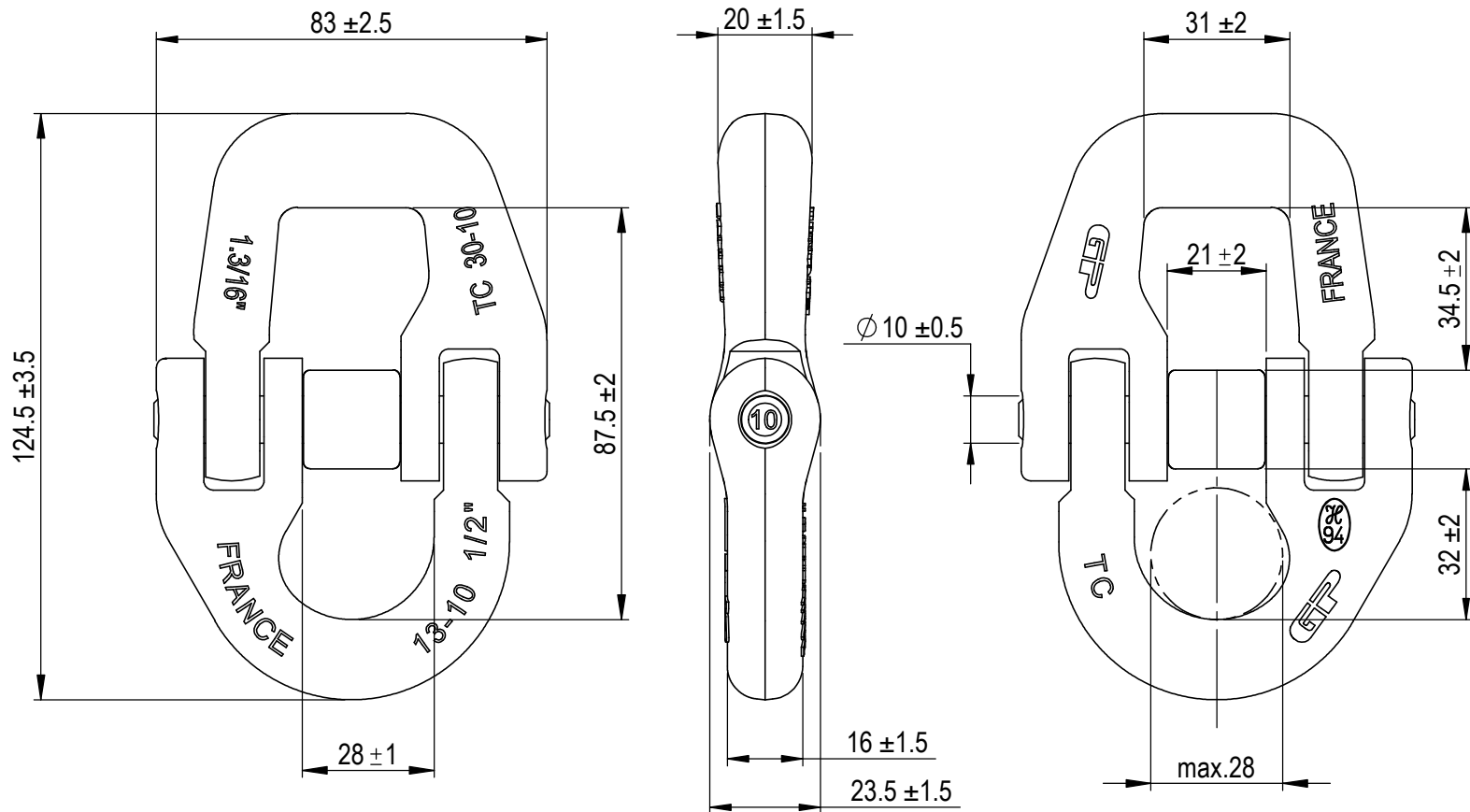
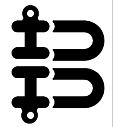



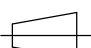
Green Pin Tycan® Connecting Link GR10
 Group : UMJT
 Part : GPUMJT30
 WLL : 6.8t



0	First Issue	2019-9-1	DL
Rev.	Description	Date	Drawn
Copyright by Van Beest B.V. moreover this document is the property of Van Beest B.V. This document or any part of it may neither be made known, copied or multiplied, nor used for any purpose other than that for which it is specifically furnished, without the prior written consent of Van Beest B.V.			
Title Green Pin Tycan® Connecting Link GR10		Remark UMJT GPUMJT30	

VAN BEEST 

P.O. Box 57, 3360 AB Slidrecht
 (The Netherlands)
 Industrieweg 6, 3361 HJ Slidrecht
 Tel. +31(0)184-413300 www.vanbeest.nl

Format	A4		
Scale	1:1.5		
Drawing number		Drawing number	Rev.
5673		5673	0

We reserve the right to make amendments on specifications in this drawing without prior notification.