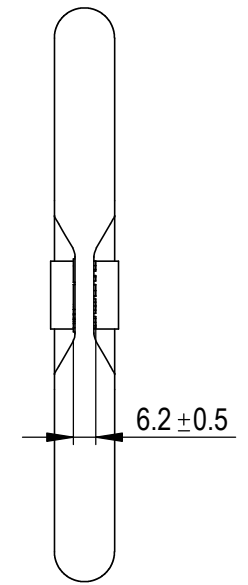
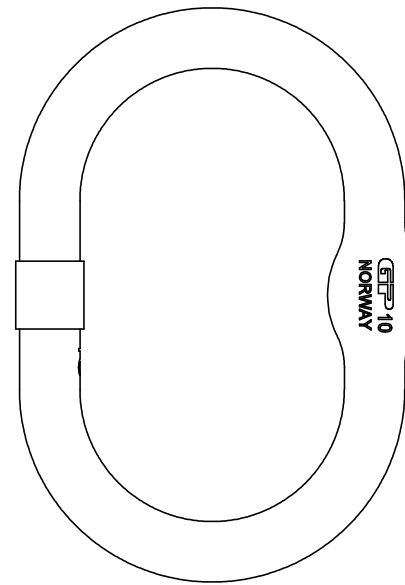
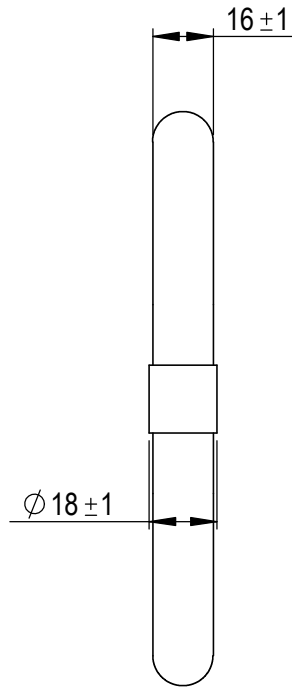
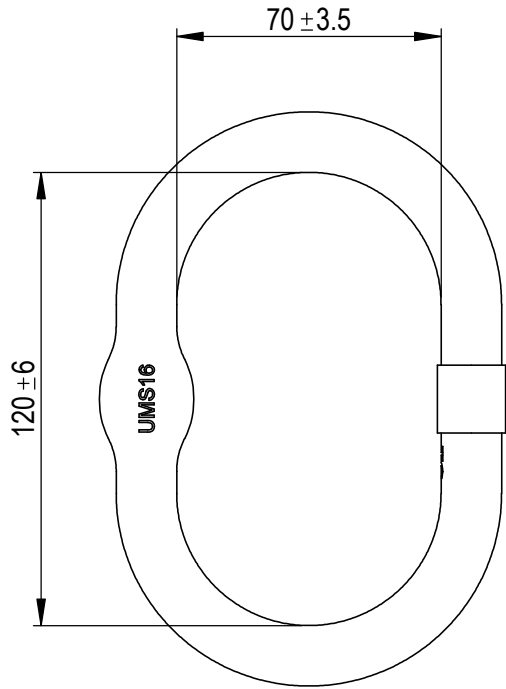


Green Pin® Master Link GR10
 Group : UMS
 Part : GPUMS16
 WLL : 3.2t

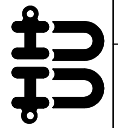


Rev.	Description	Date	Drawn
A	Change marking	2021-4-30	R.CH
0	First Issue	2015-3-1	R.CH


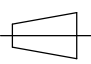
Copyright by Van Beest B.V. moreover this document is the property of Van Beest B.V. This document or any part of it may neither be made known, copied or multiplied, nor used for any purpose other than that for which it is specifically furnished, without the prior written consent of Van Beest B.V.

Title **Green Pin® Master Link GR10**

Remark
 UMS
 GPUMS16

VAN BEEST 

P.O. Box 57, 3360 AB Sliedrecht
 (The Netherlands)
 Industrieweg 6, 3361 HJ Sliedrecht
 Tel. +31(0)184-413300 www.vanbeest.nl

Format	A4		
Scale	1:2		
Drawing number	5721	Rev.	A

We reserve the right to make amendments on specifications in this drawing without prior notification.