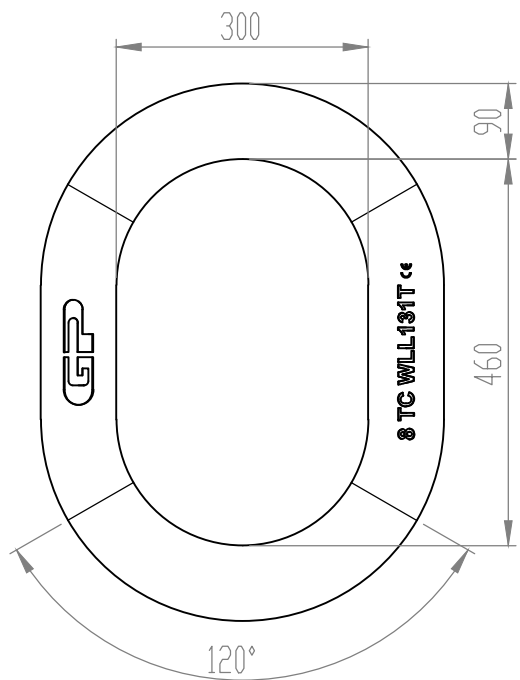
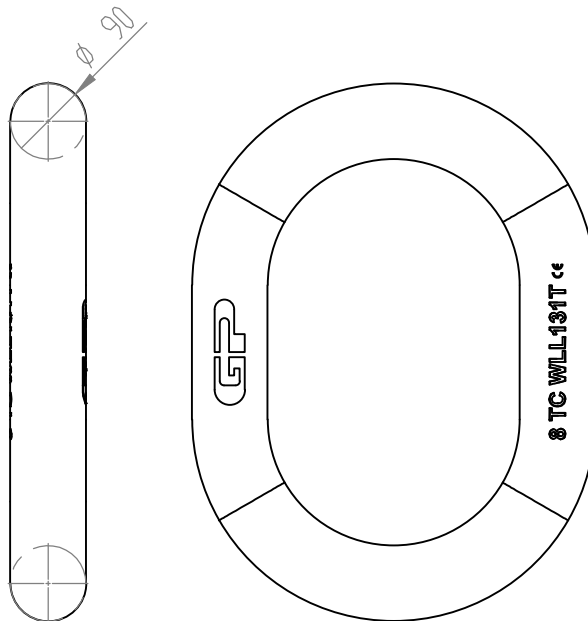


Group :P-6815
 Part :HDGPML0131
 WLL :131t

Front view



Back view



Tolerance of forged parts ±5%

We reserve the right to make amendments on specifications in this drawing without prior notification.

Rev.	Description	Date	Drawn	Approved	Approver



P.O. Box 57, 3360 AB Sliedrecht (The Netherlands)
 Industrieweg 6, 3361 HJ Sliedrecht
 Tel. +31(0)184-413300 www.greenpin.com

Copyright by Van Beest B.V. moreover this document is the property of Van Beest B.V. This document or any part of it may neither be made known, copied or multiplied, nor used for any purpose other than that for which it is specifically furnished, without the prior written consent of Van Beest B.V.

Title	Forged Master Link 131t	Remark	
-------	-------------------------	--------	--

Format	A4		
Scale	-		
Drawing number	711_30043763	Rev.	A