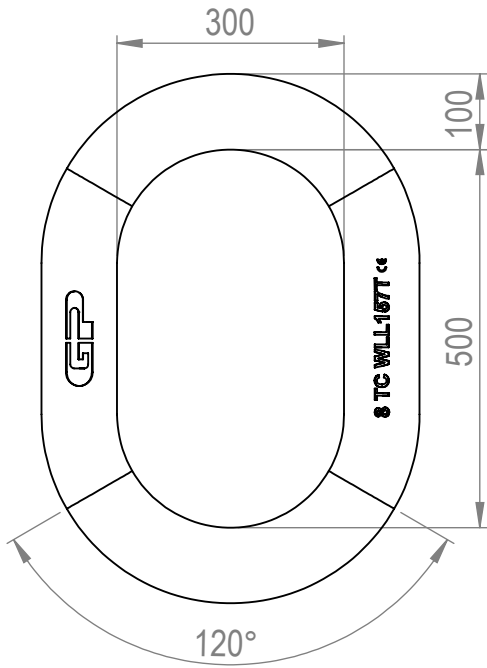
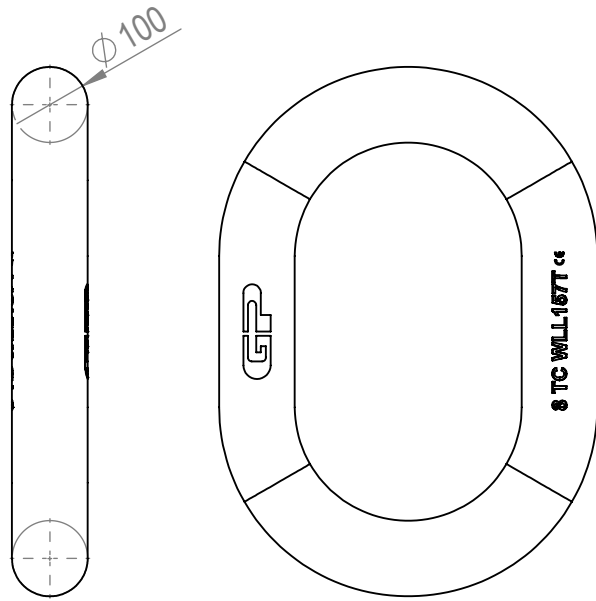


Group :P-6815  
 Part :HDGPML0157  
 WLL :157t

Front view



Back view



Tolerance of forged parts  $\pm 5\%$

Rev.	Description	Date	Drawn	Approved	Approver



P.O. Box 57, 3360 AB Sliedrecht (The Netherlands)  
 Industrieweg 6, 3361 HJ Sliedrecht  
 Tel. +31(0)184-413300 www.greenpin.com

Copyright by Van Beest B.V. moreover this document is the property of Van Beest B.V. This document or any part of it may neither be made known, copied or multiplied, nor used for any purpose other than that for which it is specifically furnished, without the prior written consent of Van Beest B.V.

Format	A4	
Scale	-	

Title	Forged Master Link 157t	Remark	
-------	-------------------------	--------	--

Drawing number	711_30043764	Rev.	A
----------------	--------------	------	---