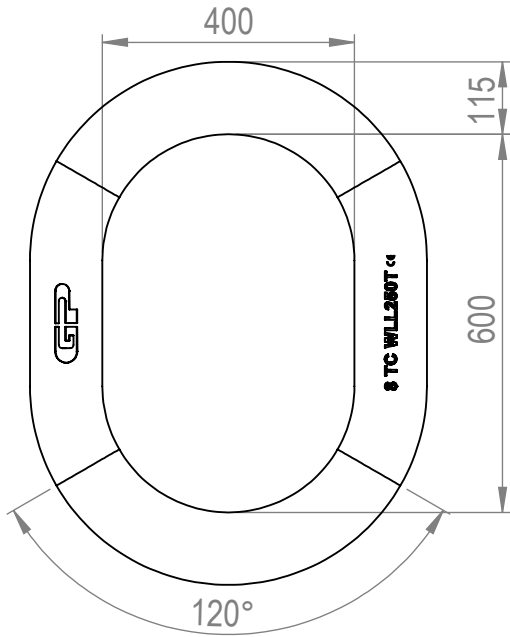
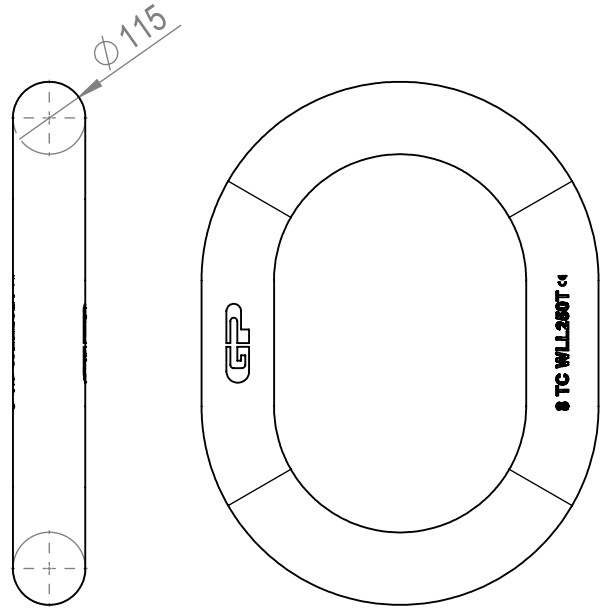


Group :P-6815
 Part :HDGPML0250
 WLL :250t

Front view



Back view



Tolerance of forged parts $\pm 5\%$

Rev.	Description	Date	Drawn	Approved	Approver



P.O. Box 57, 3360 AB Sliedrecht (The Netherlands)
 Industrieweg 6, 3361 HJ Sliedrecht
 Tel. +31(0)184-413300 www.greenpin.com

Copyright by Van Beest B.V. moreover this document is the property of Van Beest B.V. This document or any part of it may neither be made known, copied or multiplied, nor used for any purpose other than that for which it is specifically furnished, without the prior written consent of Van Beest B.V.

Title
 Forged Master Link 250t

Remark

Format	A4	
Scale	-	
Drawing number	711_30043765	Rev. A