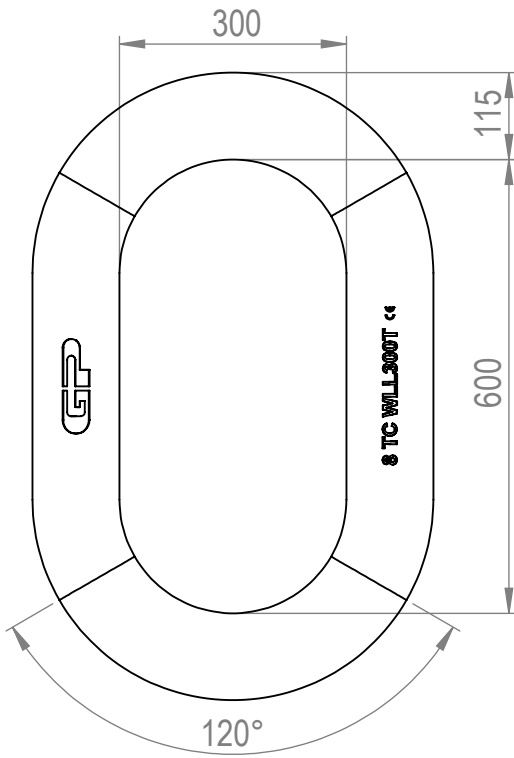
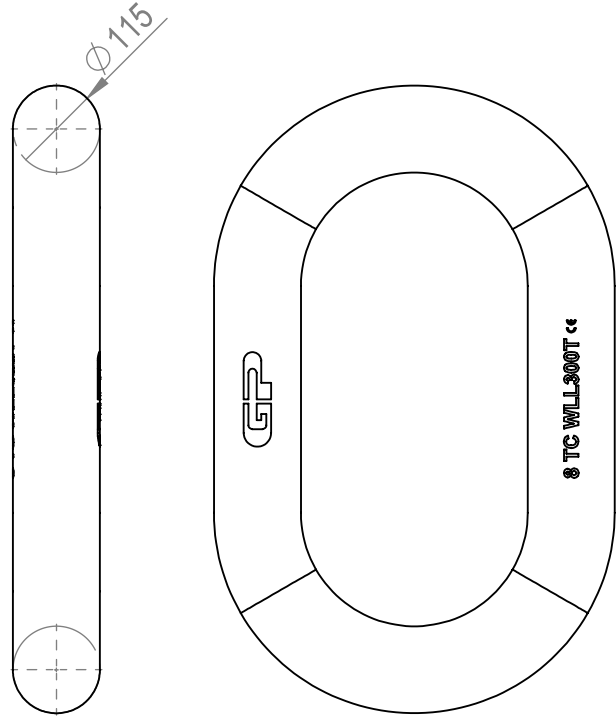


Group :P-6815
 Part :HDGPML0300
 WLL :300t

Front view



Back view



Tolerance of forged parts $\pm 5\%$

Rev.	Description	Date	Drawn	Approved	Approver

Title
 Forged Master Link 300t

Remark



P.O. Box 57, 3360 AB Sliedrecht (The Netherlands)
 Industrieweg 6, 3361 HJ Sliedrecht
 Tel. +31(0)184-413300 www.greenpin.com

Format	A4	
Scale	-	
Drawing number		Rev.
711_30043766		A

A
B
C
D
E
F

A
B
C
D
E
F