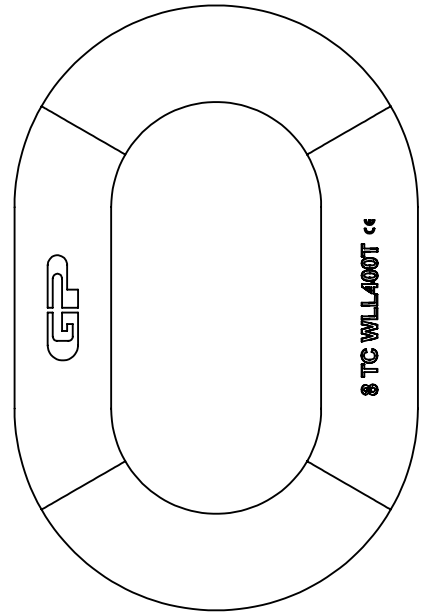
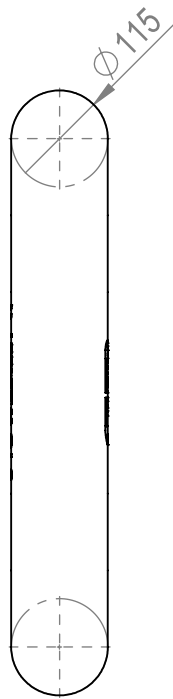
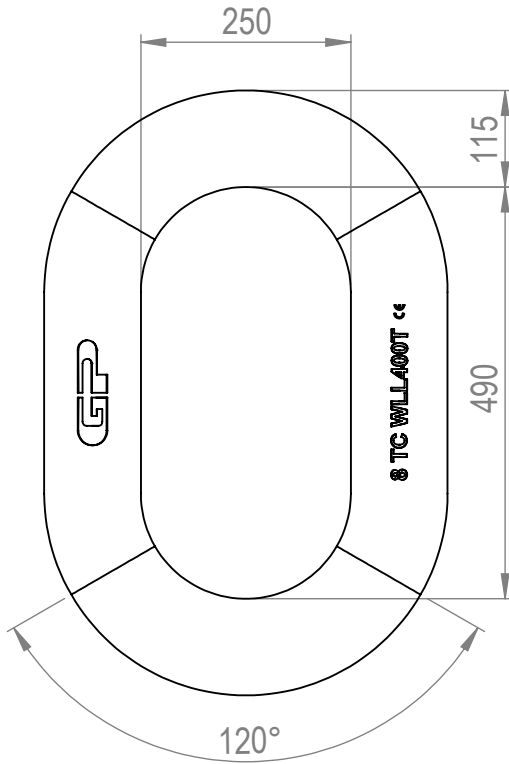


Group :P-6815
 Part :HDGPML0400
 WLL :400t

Front view

Back view



Tolerance of forged parts $\pm 5\%$

Rev.	Description	Date	Drawn	Approved	Approver

Copyright by Van Beest B.V. moreover this document is the property of Van Beest B.V. This document or any part of it may neither be made known, copied or multiplied, nor used for any purpose other than that for which it is specifically furnished, without the prior written consent of Van Beest B.V.



P.O. Box 57, 3360 AB Sliedrecht (The Netherlands)
 Industrieweg 6, 3361 HJ Sliedrecht
 Tel. +31(0)184-413300 www.greenpin.com

Format	A4	
Scale	-	

Title
 Forged Master Link 400t

Remark

Drawing number
 711_30043767

Rev.
 A