

Green Pin Polar[®] Heavy Duty Shackle BN

Group : P-6031

Part : HDPOHM0300

WLL : 300 t

A

B

C

D

E

F

A

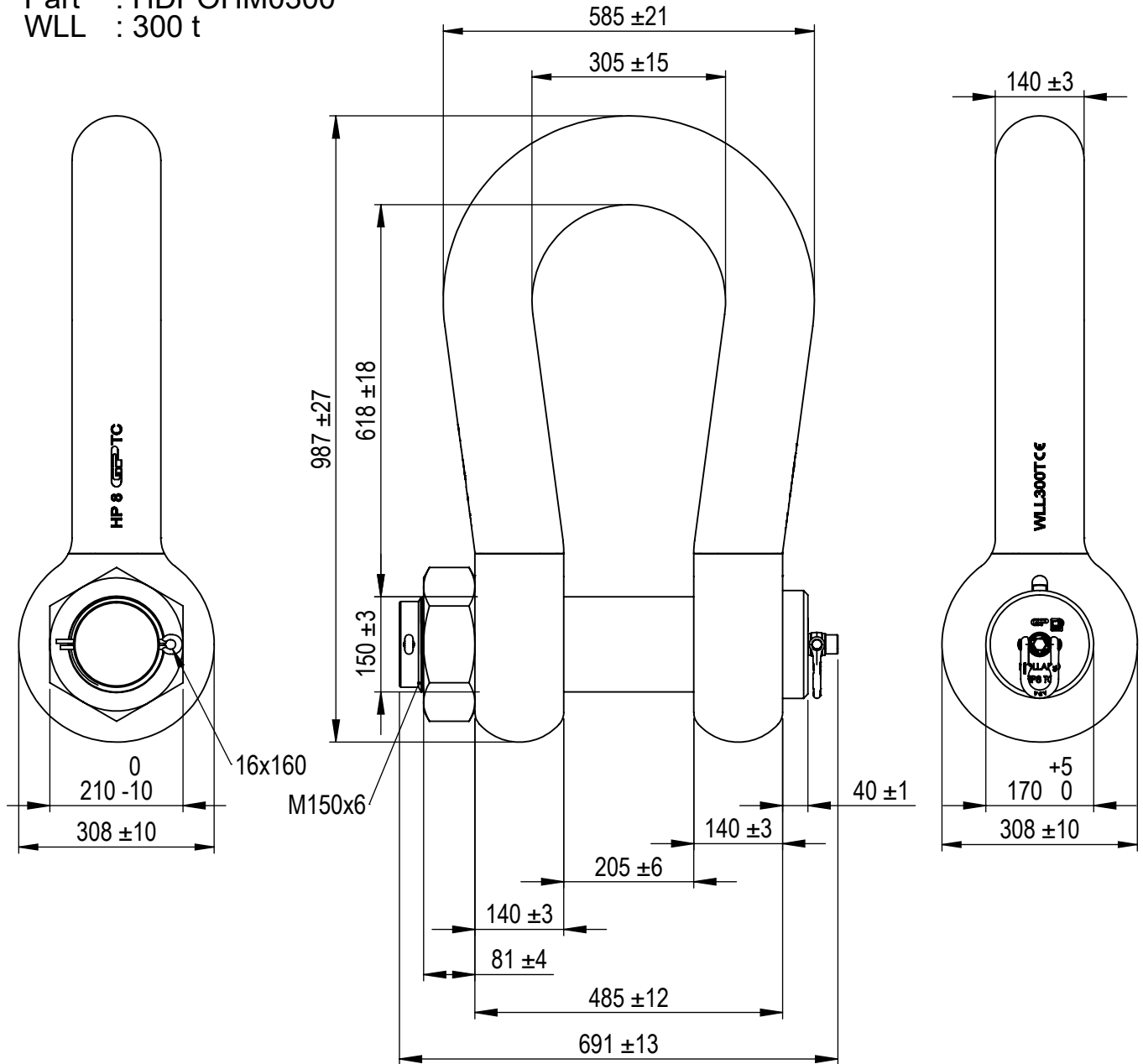
B

C

D

E

F



We reserve the right to make amendments on specifications in this drawing without prior notification.

| Rev. | Description | Date | Drawn |
|------|----------------|------------|-------|
| A | Product Update | 22-07-2020 | R.B. |
| 0 | First Issue | 16-11-2009 | H.T. |

Copyright by Van Beest B.V. moreover this document is the property of Van Beest B.V. This document or any part of it may neither be made known, copied or multiplied, nor used for any purpose other than that for which it is specifically furnished, without the prior written consent of Van Beest B.V.



P.O. Box 57, 3360 AB Sliedrecht (The Netherlands)
Industrieweg 6, 3361 HJ Sliedrecht
Tel. +31(0)184-413300 www.greenpin.com

| | | | |
|--------|------|--|--|
| Format | A4 | | |
| Scale | 1:10 | | |

Title Green Pin Polar[®] Heavy Duty Shackle BN
High load capacity, grade 8 bow shackle with safety bolt
for use under low temperatures

Remark
P-6031
HDPOHM0300

Drawing number
5204
Rev.
A

1

2

3

4