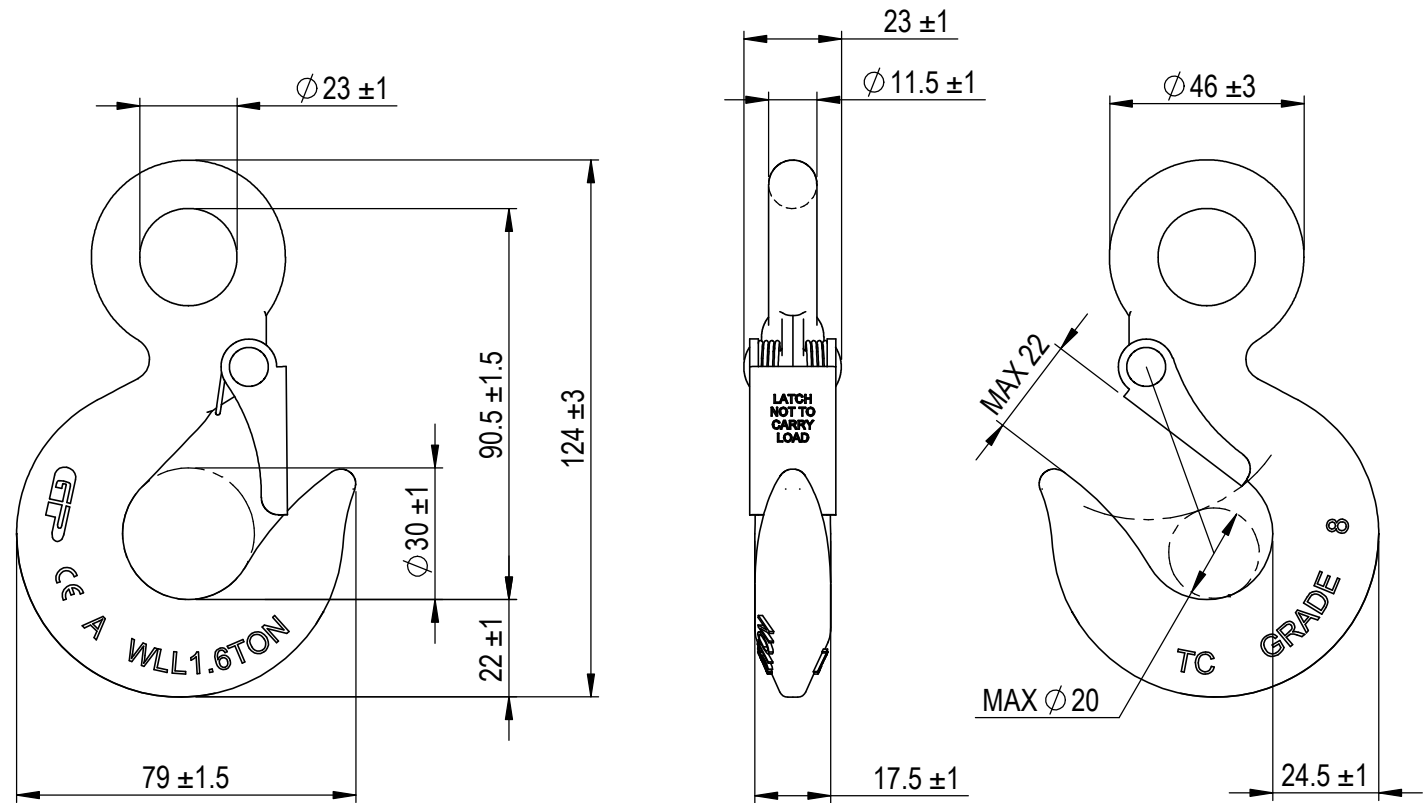


Green Pin® Hook E GR 8
 Group : P-6714A
 Part : HKK14A015
 WLL : 1.6t



Rev.	Description	Date	Drawn
0	First Issue	2020-2-1	DL

Copyright by Van Beest B.V. moreover this document is the property of Van Beest B.V. This document or any part of it may neither be made known, copied or multiplied, nor used for any purpose other than that for which it is specifically furnished, without the prior written consent of Van Beest B.V.

Title **Green Pin® Hook E GR 8**
Grade 8 large eye hook with safety latch

Remark
 P-6714A
 HKK14A015



Green Pin®
 P.O. Box 57, 3360 AB Sliedrecht (The Netherlands)
 Industrieweg 6, 3361 HJ Sliedrecht
 Tel. +31(0)184-413300 www.greenpin.com

Format	A4		
Scale	1:1.75		
Drawing number	5951	Rev.	0

We reserve the right to make amendments on specifications in this drawing without prior notification.