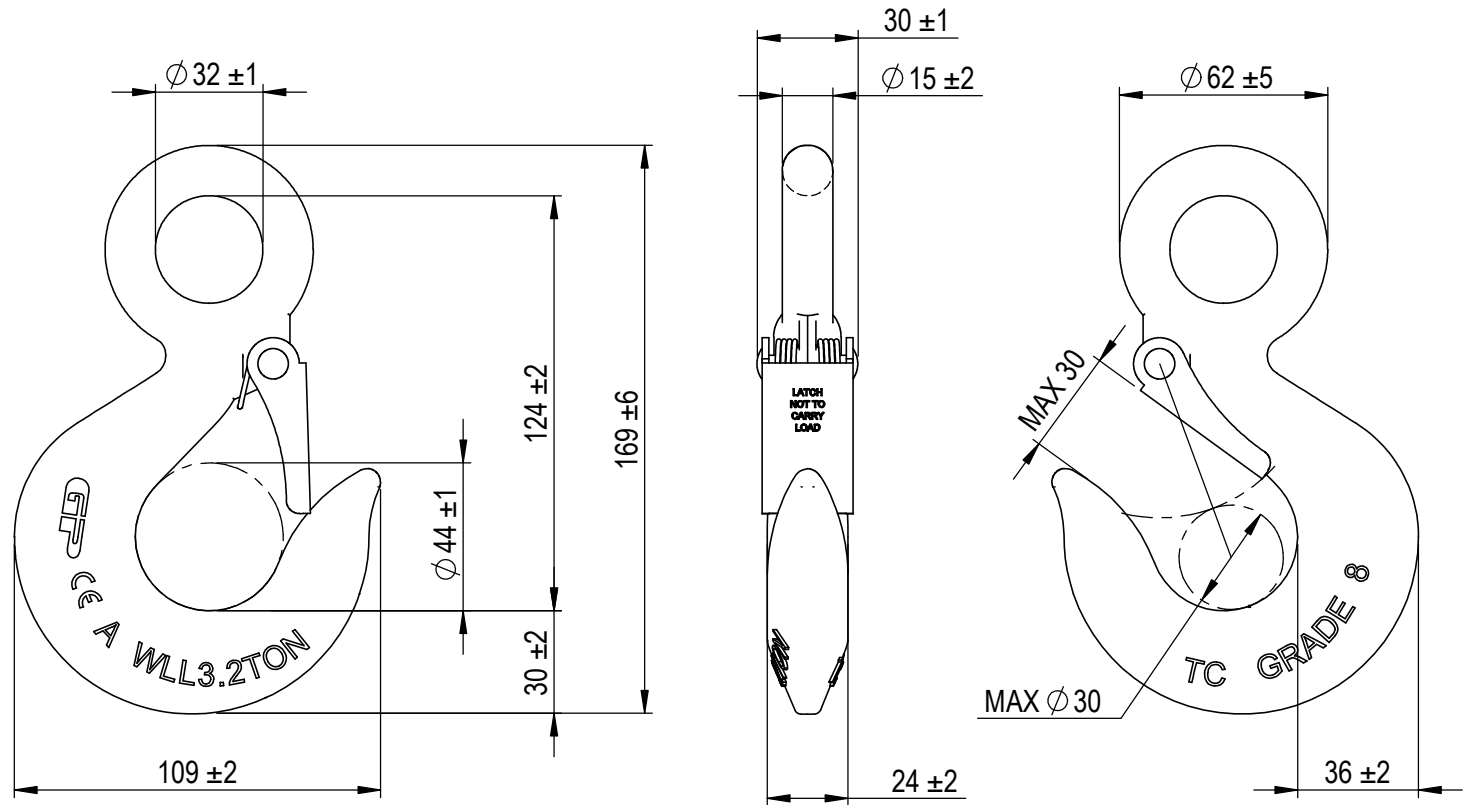


Green Pin® Hook E GR 8  
 Group : P-6714A  
 Part : HKK14A030  
 WLL : 3.2t



0	First Issue	2020-2-1	DL
Rev.	Description	Date	Drawn

Copyright by Van Beest B.V. moreover this document is the property of Van Beest B.V. This document or any part of it may neither be made known, copied or multiplied, nor used for any purpose other than that for which it is specifically furnished, without the prior written consent of Van Beest B.V.

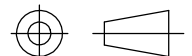
Title **Green Pin® Hook E GR 8**  
**Grade 8 large eye hook with safety latch**

Remark  
 P-6714A  
 HKK14A030



**Green Pin®**  
 P.O. Box 57, 3360 AB Sliedrecht (The Netherlands)  
 Industrieweg 6, 3361 HJ Sliedrecht  
 Tel. +31(0)184-413300 www.greenpin.com

Format **A4**  
 Scale **1:2.25**



Drawing number **5953** Rev. **0**

We reserve the right to make amendments on specifications in this drawing without prior notification.