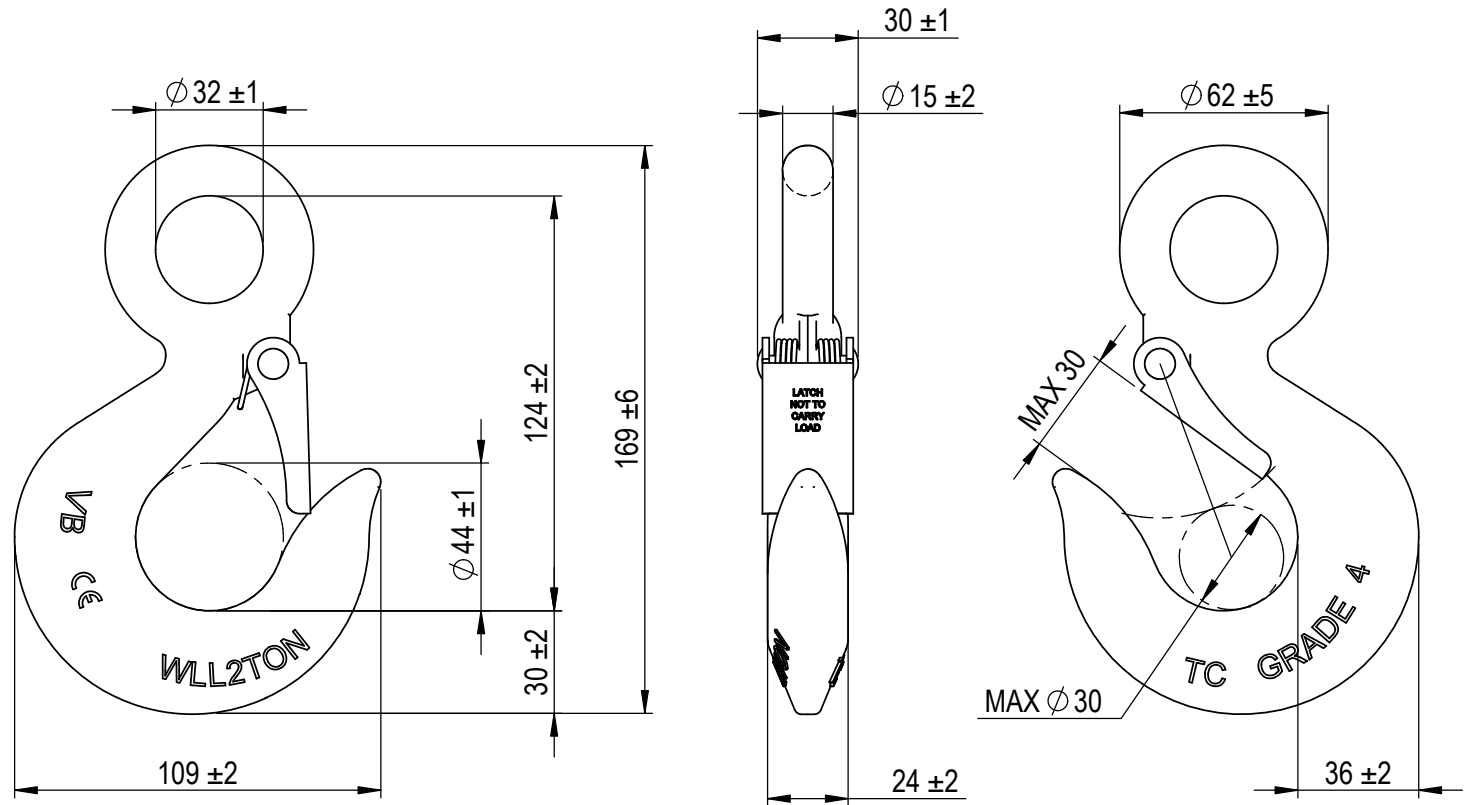


Eye Hook GR4  
 Group : P-6714C  
 Part : HKK14C020  
 WLL : 2 t




Rev.	Description	Date	Drawn
A	drawing updated	2024/10/30	DL
0	First Issue	2020-2-1	DL

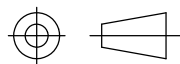
Copyright by Van Beest B.V. moreover this document is the property of Van Beest B.V. This document or any part of it may neither be made known, copied or multiplied, nor used for any purpose other than that for which it is specifically furnished, without the prior written consent of Van Beest B.V.

Title **Eye Hook GR4**  
**Grade 4 large eye hook with safety latch**

Remark  
 P-6714C  
 HKK14C020



**Green Pin**  
 P.O. Box 57, 3360 AB Sliedrecht (The Netherlands)  
 Industrieweg 6, 3361 HJ Sliedrecht  
 Tel. +31(0)184-413300 www.greenpin.com

Format	A4	
Scale	1:2.25	
Drawing number	5903	Rev.
		A

We reserve the right to make amendments on specifications in this drawing without prior notification.

A

B

C

D

E

F

A

B

C

D

E

F